



An Introduction to HVAC Systems

By

J. Paul Guyer, P.E., R.A.

PDHLibrary Course No 0005459

4 PDH HOURS

An Introduction to HVAC Systems



Guyer Partners
44240 Clubhouse
Drive
El Macero, CA 95618
(530)7758-6637
jpguyer@pacbell.net

J. Paul Guyer, P.E., R.A.

Paul Guyer is a registered Mechanical Engineer, Civil Engineer, Fire Protection Engineer and Architect with over 35 years experience in the design of buildings and related infrastructure. For an additional 9 years he was a principal staff advisor to the California Legislature on infrastructure and capital outlay issues. He is a graduate of Stanford University, and has held numerous national, state and local positions with the American Society of Civil Engineers and National Society of Professional Engineers.

CONTENTS

1. INTRODUCTION
2. LOAD CALCULATIONS
3. AIR CONDITIONING EQUIPMENT
4. AIR DISTRIBUTION
5. RULES OF THUMB
6. HEATING AND COOLING MEDIA DISTRIBUTION

1. INTRODUCTION

This is an introduction to air conditioning systems (frequently referred to as HVAC systems – heating, ventilating and air conditioning systems). It is intended for those engineers, architects and construction professionals who are only peripherally involved with HVAC systems in their professional activities....but would like to learn more about HVAC concepts, principles, systems and equipment. It is not a design manual, but will give design and construction professionals a step forward in understanding this area of building technology. Design information presented here is presented in a “manual” form, that is, calculations are presented as if calculated manually, although, of course, this is done in most cases in practice by computer programs. This manual presentation will give a better understanding of the underlying principles rather than just leaving the matter of load calculations as a simple data input exercise.

2. LOAD CALCULATIONS

2.1 General. The first step in HVAC system design is to select indoor and outdoor summer and winter design conditions. There are various sources for this information, but among the best are DOD Military Handbook MIL-HDBK-1190 and Naval Facilities Engineering Command NAVFAC Publication P-89, Engineering Weather Data Manual procedures provided below for determining heating and cooling loads are for illustration and training purposes only, but may be used for small systems (e.g., heating systems less than 200,000 Btu per hour and cooling systems less than 10 tons). Computer programs are available that will provide more precise load determinations and the time of day with the highest cooling load. The highest heating load is assumed to occur just before dawn; therefore, this should be considered in the design heating load.

2.1 Heating Load. Heating load.... the amount of heating that must be provided given the assumed outside air temperature and desired inside air temperature....is calculated as described below. Heating load is due to transmission, infiltration and ventilation.

2.2.1 Transmission. Heating load due to transmission is calculated using Eq 2.1.

$$Q = U \times A \times (T_i - T_o) \quad (\text{Eq 2.1})$$

where:

Q = Btu/hr heat loss by transmission,

U = heat transfer coefficient (look this up in a handbook for your particular wall, floor, roof, etc. construction)

A = area of the surface (wall, window, roof, etc.),

T_i = inside design temperature, and

T_o = outside design temperature.

Use this formula to compute heat transmission losses from each element of the building skin (e.g., walls, windows, roof, etc.). Note that attic and crawl space and ground temperature are different from outdoor temperatures.

2.2.2 Infiltration and Ventilation. To determine the heating load use the larger of the infiltration and ventilation loads. Outdoor air provided for ventilation should exceed the air exhausted by 10 to 15 percent to minimize infiltration. The designer must use judgment on the amount of excess supply air to include based on number and type of windows and doors.

$$Q = 1.10 \times \text{CFM} \times (T_i - T_o) \quad (\text{Eq 2.2})$$

where:

CFM = cubic feet per minute of outdoor air, and

Q = the sensible heat loss, Btu/hr.

This calculation does not apply to industrial ventilation systems, e.g., systems to control fumes, vapors, and dust from such processes as plating, painting, welding, and woodworking. Refer to American Society of Heating, Refrigerating and Air Conditioning Engineers (ASHRAE) Handbook, HVAC Systems and Applications, for guidance on design of these systems.

2.2.3 Total Heating Load. Sum the transmission loads with infiltration and ventilation loads to get the total heating load. To this computed total heating load, add the following to size central equipment (do not apply these factors when sizing terminal equipment such a finned-tube radiation, fan-coil units, etc.):

2.2.3.1 Exposure factor (prevailing wind side) up to 15 percent.

2.2.3.2 Pickup (for intermittently heated buildings with primary heat sources such as boilers, steam-to-water heat exchangers, etc.) 10 percent.

2.2.3.3 Buildings with night setback. A building with 10 degrees F setback may require up to 30 percent oversizing for acceptable pickup and minimum energy requirements.

2.3 Cooling Load. Computation of the peak cooling load can be a difficult effort. Heat gain (heat gain = cooling load) is composed of or influenced by the conduction heat gain through opaque portions of the building skin; the conduction plus solar radiation through windows and skylights; the building internal loads such as people, lights, equipment, motors, appliances, and devices; and outdoor air load from infiltration. For sizing variable air volume (VAV) systems, calculation of loads has more stringent requirements, not addressed here.

2.3.1 Transmission and Glass Solar Gain. Cooling load is heat gain from transmission, solar heat gain through glass, infiltration and ventilation, and internal loads. It is calculated as discussed below.

2.3.1.1 Walls and Roof Transmission. Cooling load due to transmission through walls and roof is calculated using Eq 2.3.

$$Q = U \times A \times (T_o - T_i) \quad (\text{Eq 2.3})$$

2.3.1.2 Glass Transmission and Solar Gain. Heat gain (cooling load) due to transmission and solar gain through glass is calculated as shown below.

2.3.1.2.1 Transmission. Heat gain by transmission through glass is calculated using Eq 2.4.

$$Q = U \times A \times (T_o - T_i) \quad (\text{Eq 2.4})$$

2.3.1.2.2 Solar Heat Gain. Solar heat gain through glass is calculated using (Eq 2.5).

$$Q = A \times SC \times SHGF \quad (\text{Eq 2.5})$$

where:

SC = shading coefficient, and

SHGF = solar heat gain factor (look up the SHGF in a handbook (e.g., ASHRAE Handbook, Fundamentals) for each exposure and type of glass).

2.3.2 Infiltration and Ventilation. Sensible and latent heat gains from infiltration and ventilation are calculated using Eqs 2.6 and 2.7. The concepts of sensible and latent heat require an understanding of psychometrics, which is beyond the scope of this discussion. The question of latent heat usually comes into play only in particularly humid climates. In this simplified presentation we will assume a Mediterranean climate (i.e. like California) and generally not be concerned with latent heat.

2.3.2.1 Sensible

$$Q_s = 1.10 \times \text{CFM} \times (T_o - T_i) \quad (\text{Eq 2.6})$$

2.3.2.2 Latent

$$Q_L = 4840 \times \text{CFM} \times W \quad (\text{Eq 2.7})$$

where:

W = change in humidity ratio (lb water/lb air).

2.3.2.3 Ventilation Rates. Refer to ASHRAE Standard 62 for ventilation requirements or the typical values below:

Auditoriums, theaters - 15 cfm/person
 Sleeping rooms - 15 cfm/person
 Bedroom - 30 cfm/room
 Classroom - 15 cfm/person
 Communication centers - 20 cfm/person
 Conference rooms - 20 cfm/person
 Corridors - 0.1 cfm/sq ft
 Dining - 20 cfm/person
 Lobbies - 15 cfm/person
 Locker, dressing rooms - 0.5 cfm/sq ft
 Lounges, bars - 30 cfm/person
 Offices - 20 cfm/person
 Toilet, bath (private) - 35 cfm/room
 Toilet (public) - 50 cfm/water closet or urinal

The total corrected outdoor air requirement for central systems supplying spaces with different ratios of outdoor-air-to-supply-air is determined from the following:

$$CFM_{ot} = Y \times CFM_{st} \quad (\text{Eq 2.8})$$

where:

CFM_{ot} = corrected total outdoor air quantity,

CFM_{st} = total system airflow (i.e., sum of air supplied to all spaces), and

Y = corrected fraction of outdoor air, or

$$Y = X / (1 + X - Z) \quad (\text{Eq 2.9})$$

where:

$X = CFM_{oa} / CFM_{st}$,

$Z = CFM_{oc} / CFM_{sc}$,

where:

CFM_{oa} = uncorrected sum of outdoor airflow rates for spaces on the system,

CFM_{oc} = outdoor air required for critical space, and

CFM_{sc} = supply air to the critical space.

The critical space is that space with the greatest required fraction of outdoor air in the supply to that space.

2.3.3 Internal Loads

2.3.3.1 People Loads. Adjusted (normal male/female/child), per person.

Sensible/Latent

Office (seated light work, typing) 255 Btu/hr 255 Btu/hr

Factory (light bench work) 345 Btu/hr 435 Btu/hr

Factory (light machine work) 345 Btu/hr 695 Btu/hr

Gymnasium athletics 635 Btu/hr 1165 Btu/hr

2.3.3.2 Lights and Equipment

2.3.3.2.1 Lights

$$Q = 3.41 \times W \times F_{ul} \times F_{sa} \quad (\text{Eq 2.10})$$

where:

W = total light wattage,

F_{ul} = use factor, and

F_{sa} = special allowance factor for fluorescent fixtures or for fixtures that release only part of their heat to the conditioned space.

2.3.3.2.2 Equipment

(1) Motors within conditioned space or within airstream.

$$Q = 2545 \times \text{HP} / (E_m \times F_{lm} \times F_{um}) \quad (\text{Eq 2.11})$$

where:

HP = motor horsepower,

E_m = motor efficiency,

F_{lm} = motor load factor, and

F_{um} = motor use factor.

(2) Appliances and equipment, such as business machines and computers. Refer to ASHRAE Handbook, Fundamentals and manufacturer's data to determine sensible and latent heat gains from equipment.

$$Q_s = 3.41 \times W \times F_{ue} \quad (\text{Eq 2.12})$$

where:

Q_s = sensible load,

W = appliance wattage, and

F_{ue} = equipment use factor.

2.3.3.3 Heat Gain From Miscellaneous Sources

2.3.3.3.1 HVAC Fan Motors (Outside the Airstream). Typically, thirty-five percent of the input to an HVAC fan motor is converted to heat in the airstream because of fan inefficiency.

2.3.3.3.2 HVAC Fan Motors (Within the Airstream). The motor load is converted to heat.

2.3.3.3.3 Duct Leakage. Loss of supply air due to duct leakage shall be compensated by system capacity as follows:

(1) Well designed and constructed system: increase fan capacity by 3 percent.

(2) Poorly designed and constructed system: increase fan capacity by 10 percent.

3. AIR CONDITIONING EQUIPMENT

A detailed discussion of air conditioning equipment is beyond the scope of this presentation, but a few comments can be offered.

3.1 Cooling Systems

3.1.1 Central Air Conditioning Systems. Use these systems for applications where several spaces with uniform loads will be served by a single apparatus and where precision control of the environment is required. Cooling coils can be direct expansion or chilled water. Select air cooled or evaporative condensers, cooling towers, and ground-loop systems based on life cycle economics considering operating efficiencies and maintenance costs associated with outdoor design conditions and environment, e.g., high ambient temperatures and dusty conditions could adversely impact the operation of air cooled condensers. Consider temperature rise of chilled water supply when selecting chilled water coils, especially for applications requiring precision humidity control.

3.1.2 Unitary Air Conditioning Systems. These systems should generally be limited to loads less than 100 tons. Unitary systems are packaged in self-contained or split configurations. Self-contained units incorporate components for cooling or cooling and heating in one apparatus. Thermostatic expansion valves are preferred over capillary tubes and orifices for refrigerant control when available as a manufacturer's option since expansion valves provide better superheat control over a wide range of operating conditions. *Split systems* may include the following configurations:

- a) Direct expansion coil and supply fan combined with a remote compressor and condensing coil; or
- b) Direct expansion coil, supply fan, and compressor combined with a remote condenser, cooling tower, or ground-loop system.

These systems generally have lower first cost than central systems but may have higher life cycle costs. If part load operation is anticipated for a majority of equipment operating life, consider multiple unitary equipment for superior operating efficiencies and added reliability. Refer to ASHRAE Handbook, Equipment for size and selection criteria.

3.1.3 Room Air Conditioning Units. These units are self-contained units serving only one space. These units are typically referred to as window or through-the-wall type air conditioners. Rooms served by these units should have a separate HVAC unit to provide ventilation air for a group of rooms. Use them when they are life cycle cost effective, and in accordance with MIL-HDBK-1190. Refer to ASHRAE Equipment Handbook.

3.1.4 Built-up Systems. These systems consist of individual components assembled at the building site. Generally, use them when a large volume of air is handled. These systems may be used as remote air handling systems with a central cooling plant. unitary air handling units. Determine the number of air handling units by an economic division of the load, considering: (a) the value of space occupied by equipment; (b) the extent of ductwork and piping; (c) the multiplicity of control, maintenance, and operating points; and (d) energy conservation factors.

3.2 Heating Systems. Heating sources can be either steam, hot water, natural gas, oil, electricity, or a renewable resource. Select these sources based on life cycle cost. Heating systems may be combined with ventilating systems when feasible. Heating-dominated climates require perimeter radiation at windows in office spaces.

3.2.1 Individual Heating Plants. Locate individual heating plants in the building they serve or in a separate, adjoining building.

3.2.2 Central Heating Plants. Base the total heating system capacity on normal demand rather than total connected load.

3.3 All-Air Systems. Refer to ASHRAE Systems Handbook. In humid climates, provide all-air systems for air conditioning. These systems are central systems which provide complete sensible and latent heating and cooling of the air supply. These systems are either single path or dual path. Single-path systems have heating and cooling elements in a series configuration. Dual path system elements are arranged in parallel. Consolidation of system components at a central location provides increased opportunity for energy conservation.

3.3.1 Constant-Volume Systems. Use where room conditions are to be maintained by supplying a constant volume of air to the space and varying supply air temperature in response to demands for net space heating or cooling.

a) Applications. In addition to multi-zone systems, this includes single-zone or single space applications in auditoriums, meeting rooms, cafeterias, restaurants, and small retail stores.

b) Multi-zone Systems. Use these systems to provide individual temperature control of a small number of zones, maximum 10 zones, from a central air handler. For normal comfort cooling applications, place cooling and heating coils in the air handler. For applications where humidity control is critical, place coils in series so that air is conditioned by the cooling coil prior to passing to the hot deck. Provide cooling by direct-expansion or chilled-water coils. Provide heating by steam coils, hot water coils, or electric coils.

c) Terminal Reheat Systems. These systems overcome zoning limitations by adding individual heating coils in each zone's branch duct to compensate for areas of unequal heating load. Heat, whether in the form of hot water, steam, or electrical resistance heaters, is applied to either preconditioned primary air or recirculated room air.

(1) These systems waste energy because supply air is cooled to a low enough temperature to serve the zone needing the coolest air, but then supply air must be reheated for other zones to avoid overcooling. Where constant volume is maintained, the waste of energy can be even more significant. Reset cold deck temperature to meet

cooling requirements of the room with the largest load or to satisfy humidity requirements. This cold deck temperature control reduces energy consumption.

(2) Due to high energy consumption, limit these systems to applications requiring close control of temperature and humidity, such as hospital intensive care areas and laboratories. When economically feasible, use heat recovered from the refrigeration cycle in heating coils.

3.3.2 Variable Air Volume (VAV) Systems. Use VAV systems for buildings with sufficient zones (11 or more zones) and load variation to permit reduction of fan capacity for significant periods during the day. Do not use bypass VAV systems. The complexity of systems should be consistent with minimum requirements to adequately maintain space conditions.

3.3.3 Economizer Cycle. The economizer cycle should not be used in humid climates and for spaces where humidity control is critical, such as computer rooms. Problems have been experienced with linkage corrosion, excessive damper leakage, jammed linkage on large dampers, and inadequate maintenance. Outdoor air dampers should be located away from the intake louver and after duct transition to minimize exposure to weather and size of dampers. Provide outdoor air dry bulb changeover rather than enthalpy or outdoor air/return air comparator changeover. With VAV systems, return or relief fans shall not be used. An economizer should only be used when it can be designed with gravity relief through the building envelope. Size gravity relief dampers to prevent building over pressurization.

3.4 System and Equipment Performance. For size and selection criteria of systems and equipment, refer to ASHRAE Equipment Handbook. HVAC systems shall be able to dehumidify supply air under loading conditions, provide reliable operations, and tolerate reasonable variations in chilled-water temperatures. Air conditioning systems generally operate at part load conditions most of the time. This is particularly true of comfort air conditioning systems which often operate at less than 50 percent of their design load

capacity for more than 50 percent of the time. Since high part load efficiencies are desirable to conserve energy, the selection of equipment and step starting and sequencing controls shall be made with an emphasis on reducing life-cycle costs at part load conditions. Verify and document the equipment operation in accordance with ASHRAE Guideline 1, Commissioning of HVAC Systems.

4. AIR DISTRIBUTION

4.1 Duct Design for HVAC Systems

4.1.1 Sizing General. ASHRAE Handbook, Fundamentals recognizes three methods of sizing ductwork: the equal friction method, the static regain method, and the T-method. The ASHRAE Handbook also provides a commonly used chart for sizing ducts using the equal friction method. For design of small simple systems, the equal friction method will suffice. Use the static regain method for VAV.

4.1.2 Equal Friction Method Sizing. Select a constant pressure loss in inches of water per 100 foot length of duct from the preferred part of the ASHRAE equal friction sizing chart. The preferred part is between 0.08 and 0.6 inches of water per 100 feet friction loss for air quantities up to 18,000 cfm, and between 1800 fpm and 4000 fpm for air quantities greater than 18,000 cfm. Use low velocities and a low friction drop for small projects, or where ductwork is cheap and energy is expensive. For systems of 18,000 cubic feet per minute and over, use a friction loss of 0.08 and velocities of 1800 to 3000 feet per minute. After sizing the entire system at the selected unit pressure drop, go back and adjust velocities and pressure drops in the shorter branches to equalize the pressure drops at each duct branch junction.

4.1.3 Ductwork, General

4.1.3.1 Round Ducts. Use round ducts wherever possible. Under normal applications, the minimum duct size shall be 4 inches in diameter. Use smooth curved elbows as much as possible. If these are not available, use three-piece elbows for velocities below 1600 feet per minute and five-piece elbows for velocities above 1600 feet per minute. The throat radius shall not be less than 0.75 times the duct diameter.

4.1.3.2 Rectangular Ducts. Use a minimum duct size of 6 inches by 6 inches. Where possible, keep one dimension constant in transitions and do not make transitions in elbows. Make transitions in sides and bottom of the duct keeping top level to maintain

maximum clearance above ceiling. The transition slope shall be 30 degrees on the downstream. Where ductwork is connected to equipment fittings such as coils, furnaces, or filters, the transition shall be as smooth as possible. Drawings shall indicate ductwork pitch, low spots, and means of disposing of the condensate. Elbows shall be smooth, with an inside radius of 1.0 times the width of the duct. Where space constraints dictate use of mitered elbows, such elbows shall have single thickness turning vanes. Using double thickness turning vanes instead of single thickness vanes increases the pressure loss of elbows by as much as 300 percent. Use the circular equivalents table in ASHRAE Handbook, Fundamentals instead of matching areas when you change aspect ratios. The aspect ratio is the ratio of larger to smaller rectangular duct dimension. Try to use an aspect ratio of 3 to 1 with a maximum aspect ratio of 6 to 1 or less.

4.1.3.3 Access Doors. Show access doors or panels in ductwork for apparatus and devices for maintenance, inspection, and servicing.

4.1.3.4 Flexible Ducts. To save construction expense, flexible duct may be used to connect ceiling outlets. Limit the length of flexible ducts to straight runs of 5 feet. Seek self-balancing by having equal lengths of flexible ducts instead of long and short lengths on the same branch. Do not use flexible ducts for elbows, including connection to diffusers; provide elbows at ceiling diffusers. Do not use flexible ducts in industrial ventilation systems.

4.1.3.5 Rooftop Ductwork. Rooftop ducts exposed to the weather can leak rain water. Exterior insulation tends to have a short life. One way to avoid such problems is to put insulation inside the duct, and then use galvanized steel ductwork with soldered joints and seams. Exterior insulation shall have weatherized coating and wrapping throughout, where it must be used; such as on kitchen exhaust hoods containing grease.

4.1.3.6 Glass Fiber Ductwork. Investigate the bidding climate in your local area before deciding that ductwork made from glass fiber panels will always be less expensive than galvanized steel ductwork. Fiberglass ductwork should be coated inside to avoid bacteria growth. In some parts of the country the sheet metal subcontractor can make or buy metal ducts made on an automatic machine at competitive prices.

4.1.3.7 Balancing Dampers for HVAC. Provide balancing dampers on duct branches and show dampers on drawings. See Figure 4-1 for damper installation. Use extractors or volume dampers instead of splitter dampers at branch connections. Do not use splitter dampers since they make ductwork more difficult to balance than a job with volume dampers. Provide access in the ceiling and clamping quadrants for dampers or use a type with a remote control that extends through the ceiling. Outdoor air dampers should be located away from the intake louver and after the duct transition to minimize exposure to weather and oversizing of dampers. Avoid using balancing dampers for industrial ventilation (IV) systems. Design IV ductwork so that the system will function properly without balancing dampers. Do not use balancing dampers when designing a VAV system. A VAV system with ductwork designed using the static regain method and properly sized VAV terminal units is inherently self-balancing.

4.1.3.8 Fire Dampers and Smoke Dampers

a) Fire Dampers. The term "fire damper" usually means a curtain type damper which is released by a fusible link and closes by gravity or a mechanical spring. Fire dampers are mounted in walls of fire rated construction to ensure integrity of the space. Fire dampers should be installed where the passage of flame through a fire rated assembly is prohibited.

b) Combination Fire and Smoke Dampers. The term "combination fire and smoke damper" usually means a fire damper which is automatically controlled by an external source (such as a fire alarm control panel or energy management system) to stop passage of both fire and smoke. Combination fire and smoke dampers should be installed where passage of fire or smoke is prohibited. Activation of combination fire and smoke dampers can be by several methods including pneumatic damper operators, electric damper operators, and electro-thermal links. Electro-thermal links include explosive squibs which are not restorable and McCabe type links which are restorable. Pneumatically operated dampers are the preferred method of damper activation, and should be configured in the fail-safe mode such that loss of pneumatic pressure will result in dampers closure.

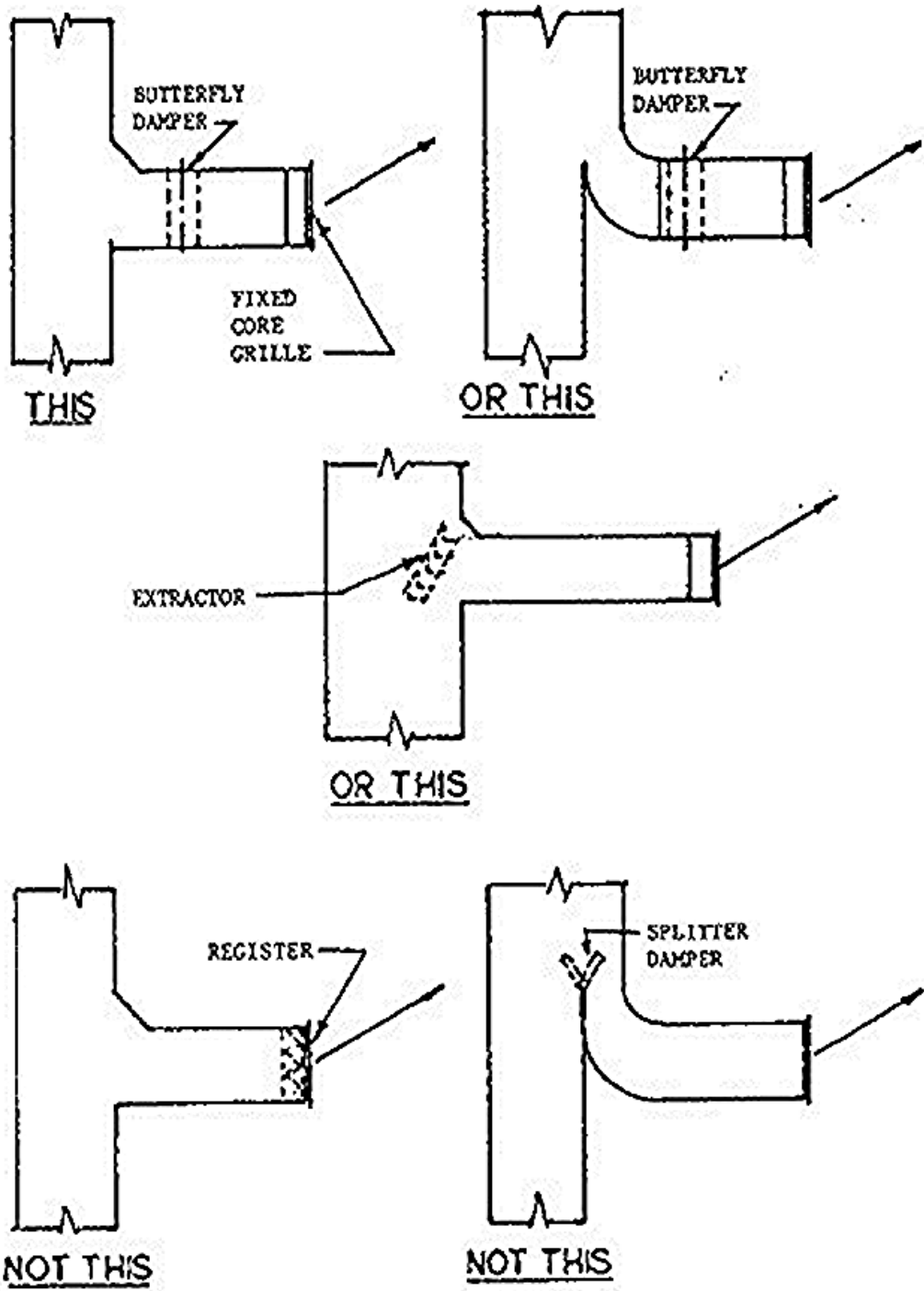


Figure 4-1

In electronic data processing rooms, combination fire and smoke dampers should be installed in walls with a fire resistance rating of 1 hour or greater. In other type spaces, either fire dampers or combination fire and smoke dampers should be installed in walls with a fire resistance rating of 2 hours or greater. Where a smoke damper is required to stop passage of smoke through a barrier (e.g., hospitals), the installation of a combination fire and smoke damper is required.

c) Mounting Details. Fire dampers and combination fire and smoke dampers must remain in the wall during a fire. Though ductwork may collapse, the damper should remain in the fire rated assembly, therefore, indicate on drawings the details for attaching dampers to the wall. Use UL listed firestopping materials between the damper collar and the wall, floor, or ceiling assembly where penetrated.

4.1.3.9 Fan System Effect Factors. Fans are tested and rated based upon a certain standard ductwork arrangement. If installed ductwork creates adverse flow conditions at the fan inlet or fan outlet, loss of fan performance is defined as a system effect factor. The system effect factor can be caused by obstructions or configurations near the fan inlet and outlet. For example, failure to recognize the affect on performance of swirl at the fan inlet will have an adverse effect on system performance. Refer to Air Movement and Control Association (AMCA) 201, Fans and Systems for additional information on fans and system effects.

4.1.4 Ductwork Details

4.1.4.1 Branches. See Figure 4-2 and Figure 4-3.

4.1.4.2 Elbows. See Figure 4-4.

4.1.4.3 Offsets and Transitions. See Figure 4-5.

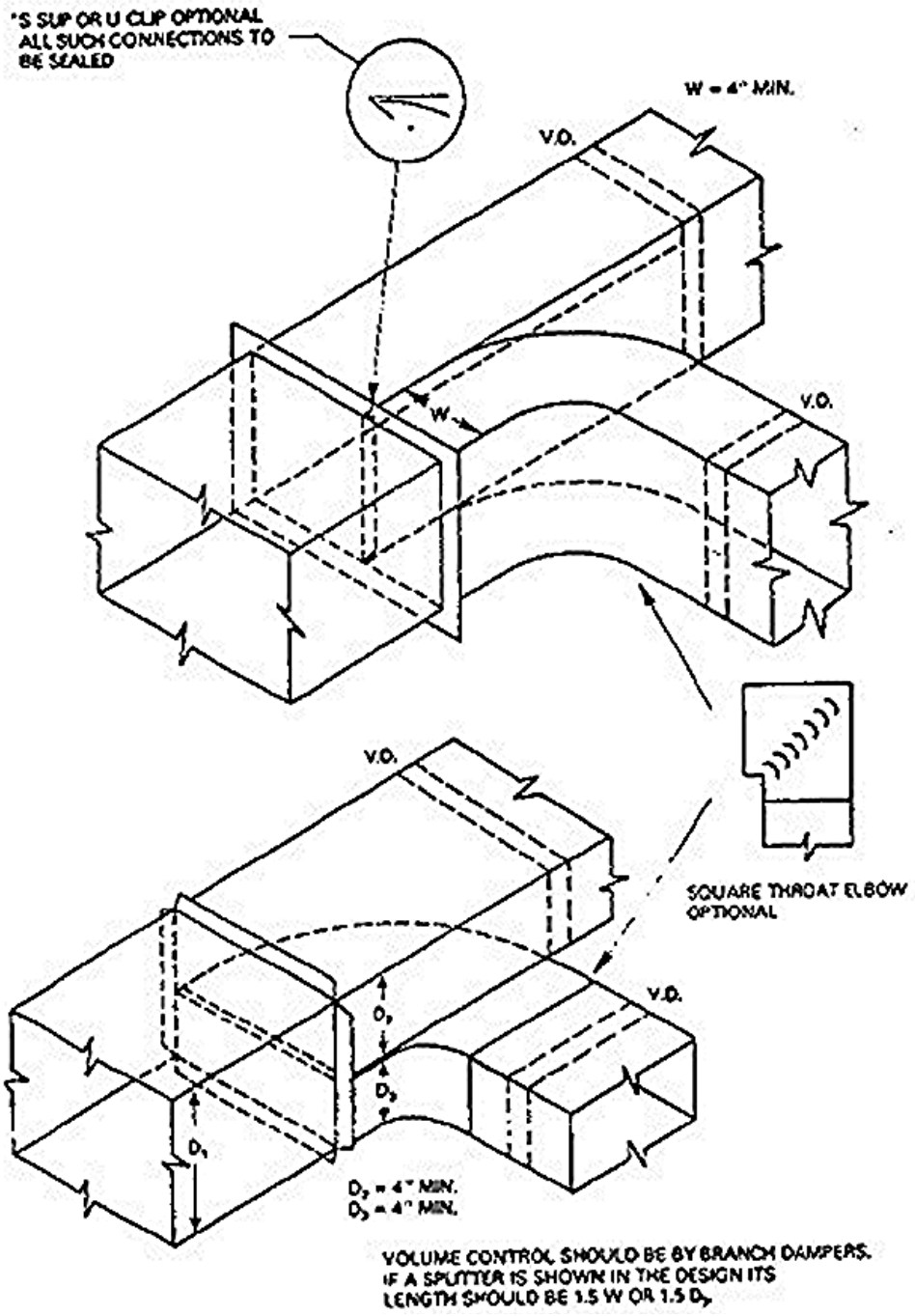


Figure 4-2

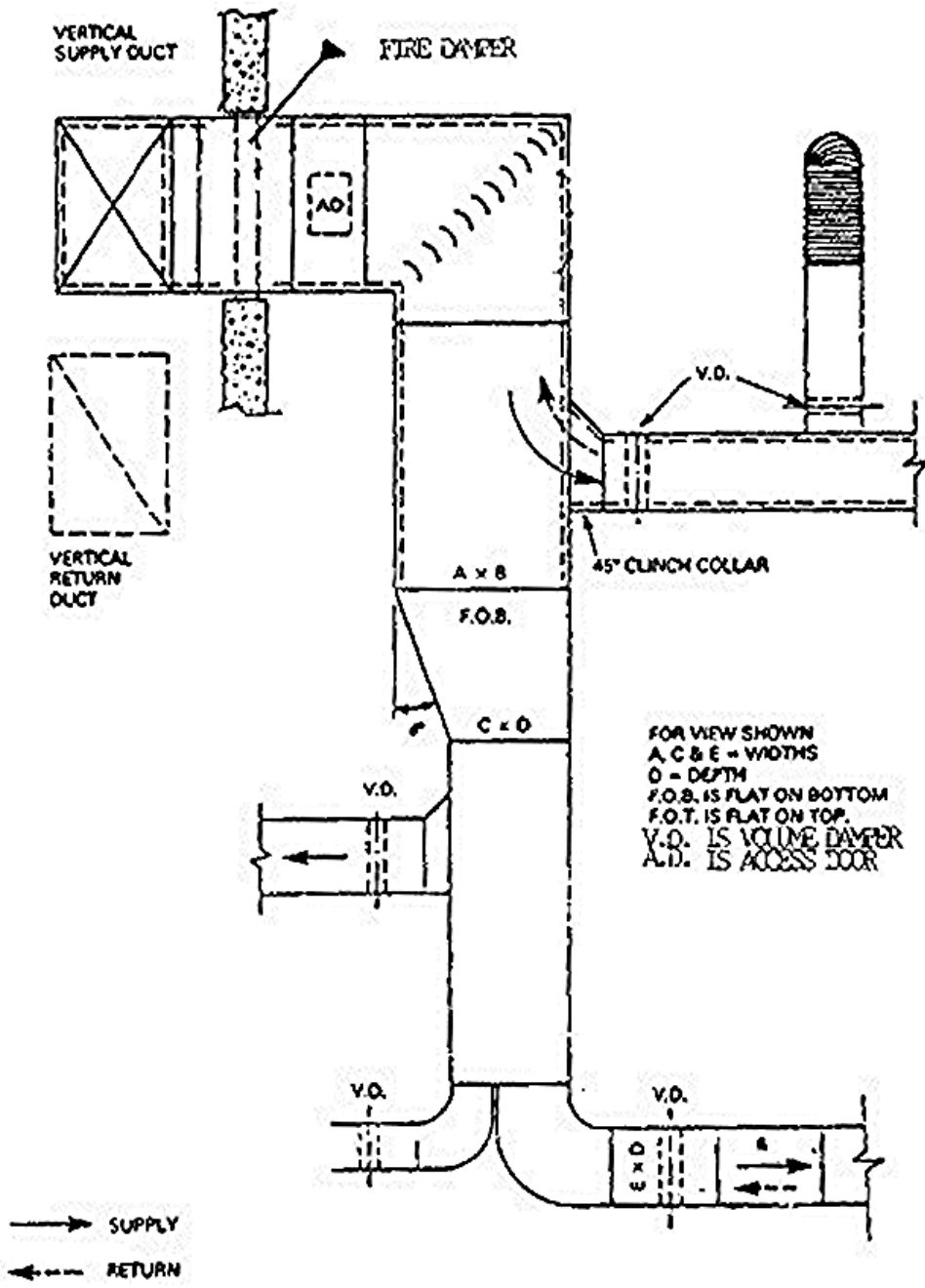
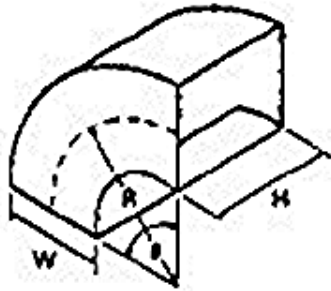
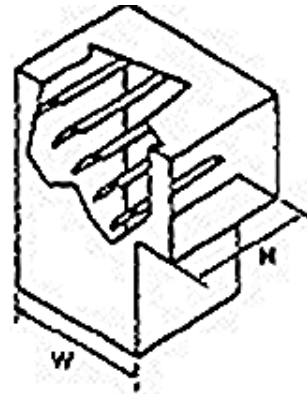


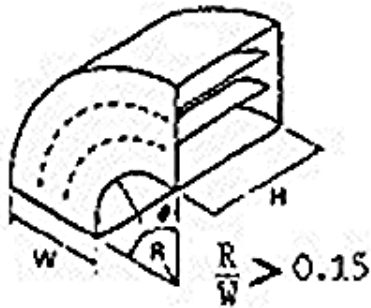
Figure 4-3



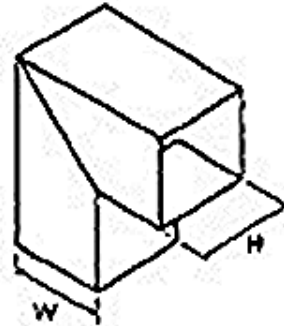
**TYPE 1
RADIUS ELBOW**
(CENTERLINE $R = \frac{3W}{2} = \text{STD RADIUS}$)



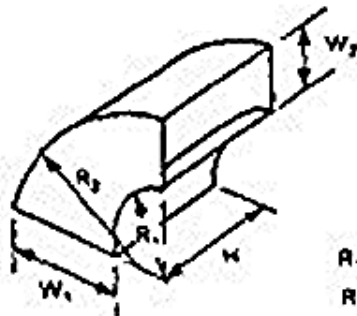
**TYPE 2
SQUARE THROAT ELBOW
WITH VANES**



**TYPE 3
RADIUS ELBOW
WITH VANES**



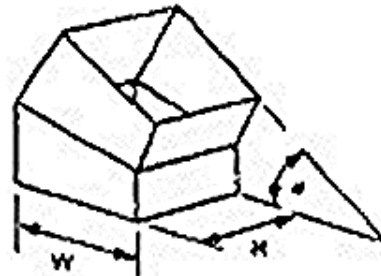
**TYPE 4
SQUARE THROAT ELBOW
WITHOUT VANES**
(1000 FPMs MAXIMUM VELOCITY)



$$R_1 = \frac{1}{2}W_1$$

$$R_2 = R_1 + W_2$$

**TYPE 5
DUAL RADIUS ELBOW**



MITERED ELBOW

BEAD, CROSSBREAK AND REINFORCE FLAT SURFACES AS IN STRAIGHT DUCT

Figure 4-4

OFFSETS 2 AND 3 AND TRANSITIONS MAY HAVE EQUAL OR UNEQUAL INLET AND OUTLET AREAS. TRANSITIONS MAY CONVERT DUCT PROFILES TO ANY COMBINATION FOR RECTANGULAR, ROUND OR FLAT OVAL SHAPES.

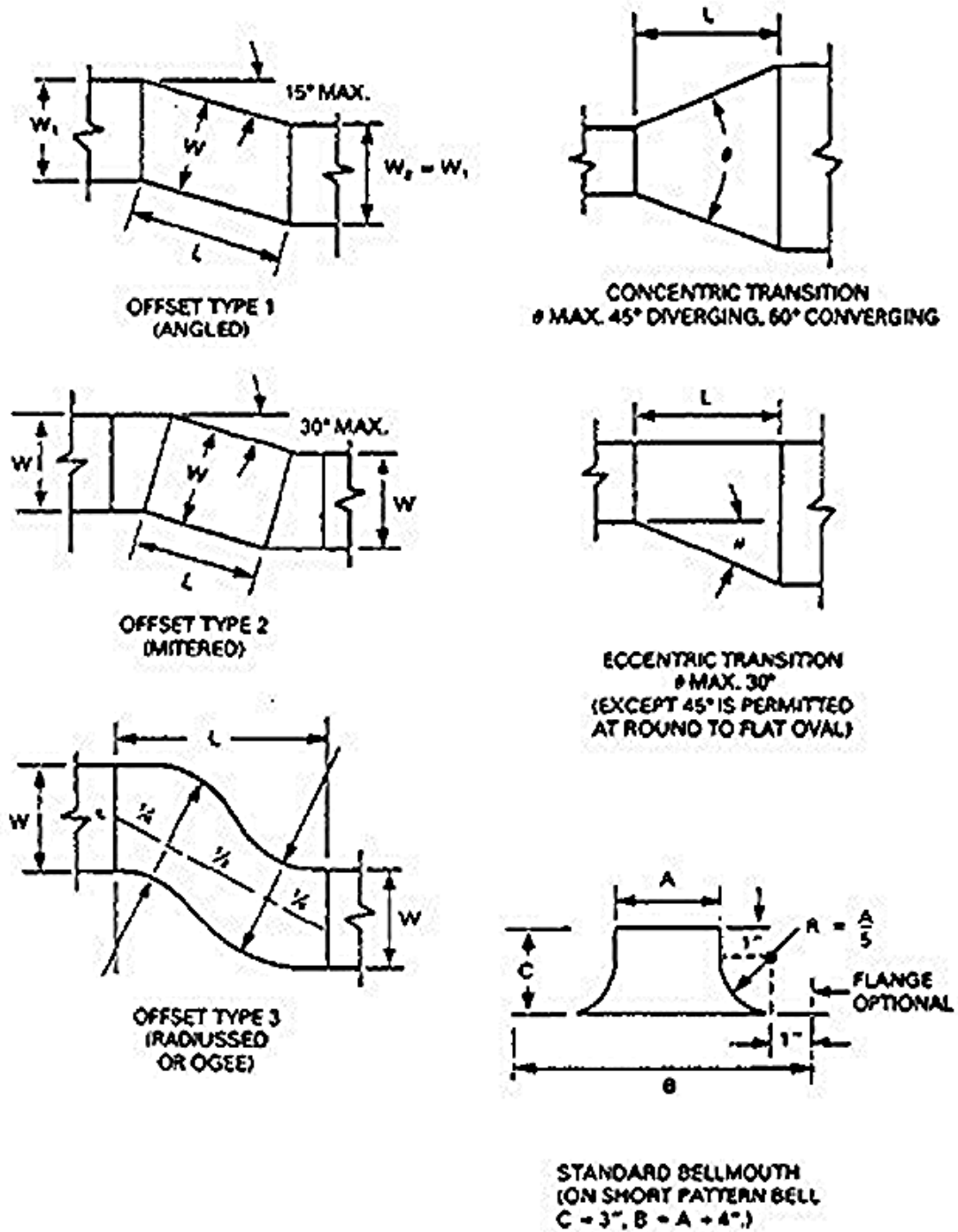


Figure 4-5

5. RULES OF THUMB

5.1 General. The following information provides guidance that could be used in planning to estimate utility requirements and to assess the adequacy of equipment sizing during design reviews. Note that it is preferable to do a quick block load calculation instead of using these rules of thumb.

5.2 Air Conditioning Capacity. See Table 5-1.

5.3 Heating Capacity. 35 to 40 Btu per square foot for mild climate region (less than 4,000 degree days), no fresh air load.

5.4 Chilled Water Circulation. 2.5 to 3.0 gallons per minute per ton.

5.5 Hot Water

Gallons per minute (20 degree drop) = Btu/h/10,000

Gallon per minute = (Btu/h)/(500 x TD) (temperature drop)

5.6 Condenser Water. Required thermal capacity of cooling water = 15,000 Btu/h per ton, or = 3 gpm per ton

5.7 Steam. 1 pound of steam per 1,000 Btu.

5.8 Condensate. 120 gallons per 1,000 pounds steam.

APPLICATIONS	AIR CONDITIONING FLOOR AREA SQ. FT./TON (EXCEPT WHERE NOTED)
ADMINISTRATION BUILDING	450-600
AUDITORIUMS, THEATERS	0.004 TO 0.08 TONS/SEAT
BOWLING ALLEYS	0.8 TO 1.4 TONS/ALLEY
COMPUTER ROOMS	50 TO 150
DINING ROOMS	175 TO 450
DISPENSARIES	450 TO 550
ENLISTED MEN'S AND OFFICER'S CLUBS	275 TO 375
HOSPITAL PATIENT ROOMS	450 TO 550
MULTIPLE FAMILY HOUSING UNITS	900 TO 1275
RECREATION ROOMS	375 TO 450
RELIGIOUS FACILITIES	0.02 TO 0.03 TONS/SEATS
HOPS (PRECISION EQUIPMENT)	450 TO 550
TRAINING FACILITIES	400 TO 500
BACHELOR QUARTERS	725 TO 900

Table 5-1
Air Conditioning Load Estimating Factors

6. HEATING AND COOLING MEDIA DISTRIBUTION

6.1 Introduction

This discussion provides criteria and guidance for the design and construction of heating and cooling distribution systems outside of buildings. The mediums used in these distribution systems include:

- High temperature hot water (HTHW) (251 deg. F to 450 deg. F)
- Low temperature hot water (LTHW) (150 deg. F to 250 deg. F)
- Low pressure steam systems (up to 15 psig)
- High pressure steam systems (over 15 psig)
- Condensate return systems (up to 200 deg. F)
- Chilled water systems.

6.2 System Selection

When designing a heating or cooling distribution system, the designer must first select two critical items: media type and system type.

6.2.1 Distribution Media Selection

6.2.1.1 Connecting to an existing system. Almost all heating and cooling distribution systems will be connected to an existing central distribution system. In this case, the designer most often designs for the media to which it is being connected- HTHW, LTHW, steam/condensate, or chilled water.

6.2.1.2 Installation of new system. When no existing system is present, the designer must select the system that is most appropriate for the end user. High temperature hot water and steam/condensate systems are the most common types of distribution systems currently used on many installations. However, a new system should only use the temperatures and pressures necessary to meet the requirements of the installation. For example, the use of high pressure steam sterilizers or steam kettles at several facilities may require the use of a high pressure steam or HTHW system. However, it is usually much more cost effective (on a first cost and life cycle cost basis) to use a low or medium temperature hot water distribution systems whenever possible and to incorporate stand alone high pressure/temperature systems where required. The lower maintenance costs, safer operation, longer life of systems, and simpler system controls for hot water systems often offset the costs of larger piping required. For further assistance for selecting the system type, refer to ASHRAE Handbook, "HVAC Systems and Equipment."

6.2.2 System Types. When selecting a distribution system, the designer must determine which system types apply to a particular medium. The designer must also exclude systems which are not appropriate for a particular site or for which the customer has no interest. Examples of this are locating aboveground systems in non-industrial

areas where the installation is sensitive to the aesthetic appearance of the area or routing concrete shallow trench systems through drainage swales or flood plains.

6.2.2.1 Heat Distribution Systems in Concrete Trenches. This system is a buried system with its removable concrete cover installed at grade and will typically be used for HTHW and steam/condensate systems. In rare instances, it may also be used for chilled water and LTHW in the event no plastic piping is installed in the same trench as high temperature (greater than 250 degrees F) piping systems. Experience has shown that if insulation of a high temperature system is compromised, temperatures can increase to such a level that it will cause damage to the plastic piping.

6.2.2.2 Pre-engineered Underground Heat Distribution Systems. This system is designed for higher pressure and temperature applications. The two types of pre-engineered systems are the drainable-dryable-testable (DDT) type which is used for high pressure steam/condensate and HTHW at all sites, and high temperature hot water at any type of site, and the water spread limiting (WSL) type which is used only for steam/condensate systems in bad and moderate sites. HTHW supply and return lines may be provided in a single casing; however, steam and condensate lines must always be provided in separate casings because condensate lines typically last less than half as long as the steam line and are easier to replace when in a separate casing.

6.2.2.3 Prefabricated Underground Heating/Cooling Distribution System. This system is designed for lower temperature and pressure applications. It is typically used for LTHW, chilled water, or combination LTHW/chilled water systems.

6.2.2.4 Aboveground Heat Distribution System. This system may be used for HTHW, steam/condensate, and LTHW systems, and for chilled water systems where freezing is not a concern.

6.2.3 System Selection

The system type selected will be based on the type of media that is distributed.

6.2.3.1 High Temperature Water and Steam/condensate Systems. The order of preference for system types for high temperature and high pressure systems are:

- 1) **Aboveground Heat Distribution System.** This is the least expensive system and historically requires the lowest maintenance and operating costs. However, the safety and aesthetics of an aboveground system are not always desirable and must be accepted by the end user.
- 2) **Heat Distribution Systems in Concrete Trenches.** This is the most dependable of the buried distribution systems. The piping is totally accessible through removable concrete covers, the piping does not come in contact with the soil, and ground water is drained away from the piping system to low point drains. Except in rare instances, this is the system that should be selected if aboveground is not acceptable with the end user.
- 3) **Pre-engineered Underground Heat Distribution System.** This type of buried distribution system should be selected as the last option due to very short system lives which are typically caused by poor drainage, poor corrosion protection, and improper installation. Instances where it would be used would be when aboveground is not acceptable with the end user or when drainage swales and high ground water prevent the installation of a concrete trench system.

6.2.3.2 Low Temperature and Chilled Water Systems. The order of preference for system types for hot water, chilled water or combination hot/chilled water are:

- 1) **Aboveground Heat Distribution System.** This is the least expensive system and historically requires the lowest maintenance and operating costs. However, the aesthetics of an aboveground system are not always desirable and must be accepted by the end user. In addition, aboveground systems are typically not

used for chilled water because of potential freezing problems in colder climates and heat gain in warmer areas.

- 2) **Prefabricated Underground Heating/Cooling Distribution System.** This buried distribution system is relatively inexpensive and dependable. The non-metallic casing materials provide excellent protection from corrosion and the lower temperatures and pressures allow the system to operate for extended periods of time. It is an excellent application for chilled water since the system is installed underground, limiting the amount of heat gain to the system.

6.3 General distribution System Design

6.3.1 General. Some aspects of a heating or cooling distribution system design are similar regardless of the system type. These aspects are covered in this discussion.

6.3.2 Site Soil Survey. After general routing has been proposed and before specific design has begun, a detailed soil survey will be conducted for all distribution systems.

6.3.2.1 The survey will be made after the general layout of the system has been determined, will cover the entire length of the proposed system, and will be made by a geotechnical engineer. The geotechnical engineer will be a registered professional engineer with a minimum of three years of experience in the field of soil mechanics and foundation design. This engineer must also be familiar with the local soil conditions.

6.3.2.2 If at all possible, the survey should be conducted during the time of the year when the ground-water table is at its highest point; if this is not possible, water table measurements will be corrected, on the basis of professional judgment and local knowledge, to indicate conditions likely to exist at the time of year when the water table is at its highest point. It may be necessary to dig test pits at the worst locations to investigate the soil for evidence of high water table.

6.3.2.3 As a minimum, information on ground-water conditions, soil types, terrain, and precipitation rates and irrigation practices in the area of the system will be collected. This information will be obtained from available records at the installation. In addition, soil resistivity will be determined for the cathodic protection system design for Pre-Engineered Underground Heat Distribution Systems.

6.3.2.4 Information on ground-water conditions and soil types (in most cases not necessary for Prefabricated Underground Heating and Cooling Distribution Systems and Aboveground Heat Distribution Systems) will be obtained through borings, test pits, or other suitable exploratory means. Generally, a boring test pit will be made at least every 100 feet along the line of the proposed system within areas of prior construction. In open undisturbed natural areas the spacing of borings may be increased. Each exploratory hole will extend to a level at least five feet below the anticipated elevation of the bottom of the proposed system. If a significant difference in underground conditions is found at adjacent exploratory points, additional explorations will be made between those points in order to determine more precisely where the change occurs. Upon completion of the survey, each exploration point will be classified on the basis of the criteria presented. The classification criteria are different for each system. Note that although classification is not a requirement for design of Prefabricated Underground Heating and Cooling Distribution Systems or Aboveground Heat Distribution Systems, the site survey, except for borings or test pits, must be conducted to ensure that actual site characteristics have been identified so that accurate plan and profile drawings can be generated.

6.3.3 Utility Investigation. All existing, concurrently constructed and new utilities will be identified if within 25 feet of the proposed distribution system routing. If the proposed routing crosses any utilities, burial depths will be determined. Utility locations and depths can be verified through personnel familiar with utilities, utility maps and by site visits. The designer is responsible for these site visits to verify locations of utility interferences and to coordinate all other construction items with the user. In the event utility information is not available, utility location consultants may be procured who

specialize in the location, identification and depth determination of utilities. If interferences exist, details will be provided in the design to relocate utilities or modify system routing to avoid the interference.

6.3.4 System Layout Plan/Profile. All distribution systems require a layout plan and profile be provided by the designer.

6.3.4.1 Layout plans will include, but not be limited to:

- system routing (including expansion loops and bends, manhole locations and anchor locations).
- stationing numbering for the system (one dimensional coordinates from the point of origin of the distribution system).
- all utilities within 25 feet of the system.
- all roads and buildings clearly labeled.
- types of surface conditions (asphalt, concrete, seeding, gravel, etc.).
- grade contour lines (new and existing).
- all dimensions and clearances to ensure accurate routing.

6.3.4.2 A profile of the system will also be drawn and, as a minimum, show:

- all system stationing numbering.
- system slope drawn to scale (1-inch to 20 feet minimum for all systems) to all low points.

- new and existing grade.
- all existing or new utilities shown at their actual burial depths.

6.3.5 Expansion Compensation. All expansion systems, loops, and bends, will be sized in order to prevent excessive pipe stresses (due mainly from thermal expansion) from exceeding those allowed by the Power Piping Code, ASME B31.1. Mechanical expansion joints are not recommended for absorbing system expansion. Mechanical expansion joints greatly increase the maintenance requirements of the distribution systems. In the unlikely event that expansion joints must be used, they must be placed in an adequately sized valve manhole. The designer is responsible for expansion calculations for Heat Distribution Systems in Concrete Trenches, Prefabricated Underground Heating/Cooling Distribution Systems, and Aboveground Heat Distribution Systems. The designer is also responsible for the expansion and stress determinations in all the valve manholes, including the location of the equipment/pipe support locations. Even though the manufacturer is responsible for the expansion calculations for Pre-Engineered Underground Heat Distribution Systems, the calculations will be thoroughly reviewed by the designer at the shop drawing review. It is recommended that a three dimensional finite element computer program be used for determining system stresses. Many finite element software packages are available which operate on desktop computers. The temperature differential used in the stress analysis will be the maximum temperature of the media less the minimum temperature the system will encounter during a shutdown. All loops and bends will be sized based on zero percent cold springing. Cold springing effects lessen over time and are difficult to maintain in the event the system is ever cut, and shall therefore not be included in the analysis. However, loops may be installed with cold springing as an added conservative measure.

6.3.6 Valve Manholes. For all distribution systems, valve manholes will be designed by the project designer. A valve manhole is required for all buried system lateral

connections, all below to above ground system transitions, all drain points (low points), all below ground valving, all trap stations, high points for vents of buried systems, and to minimize depth of buried systems. Distance between valve manholes varies with different applications. However, spacing shall never exceed 500 feet with Pre-Engineered Underground Heat Distribution Systems or Prefabricated Underground Heating/Cooling Distribution Systems to minimize excavation when searching for failures and to minimize effects of a failure. To enhance maintainability, avoid valve manholes deeper than 6 feet.

6.3.6.1 Manhole internals. Layout of each manhole will be designed on a case by case basis.

6.3.6.1.1 Equipment/valve locations. It is important to first layout, to scale, all manhole piping, insulation, valving (with stems upright 90 degrees or less from vertical), and equipment and then locate the manhole walls around these appurtenances to ensure adequate manhole size and room for maintenance personnel. One line diagrams of piping and equipment are unacceptable. See Figure 6-1 for a typical manhole plan. Note that all valve manhole layouts have certain designer requirements in common. The designer will:

- Provide main line isolation valves in valve manholes to most efficiently minimize outages to buildings served by the distribution system. When installed, main line isolation valves will be located downstream of the building's service laterals.
- Provide lateral isolation valves within the valve manholes for all laterals runs.
- Locate all carrier pipe vents and drains needed within the manhole for proper system drainage of the main and lateral lines.
- Layout all valve manhole internals (valves and valve stems, pipe w/insulation, access ladders, isolation flanges, and equipment) to scale to ensure adequate

clearance has been provided for operation and maintenance within the manhole.

- Ensure no non-metallic piping is routed in the manholes (i.e., as allowed with chilled water or condensate return systems) which also serves high temperature mediums that could damage the non-metallic piping. Damage to non-metallic piping is caused when manholes flood and the hot piping boils the flood water. Boiling water can exceed the temperature allowables of many nonmetallic piping materials. Because of this, the designer must transition to steel piping at the manholes.

6.3.6.1.2 Clearances. Design will provide for clearance around piping and equipment in the manhole in accordance with Table 6-1.

6.3.6.1.3 Access Ladders. Access ladders will be required on all valve manholes greater than 3 feet in depth. Ladders will be welded steel and will consist of uprights and nonslip steps or rungs. Uprights will be not less than 16 inches apart and steps or rungs will be spaced no greater than 12 inches apart. Ladders will extend not less than 6 inches from the manhole wall and will be firmly anchored to the wall by steel inserts spaced not more than three 3 feet apart vertically. All parts of the ladders will be hot-dipped galvanized after fabrication in conformance with ASTM A 123. The top rung of the ladders shall be not more than 6 inches from the top of the manhole. A typical valve manhole access ladder detail is shown in Figure 6-2.

6.3.6.1.4 Insulation. Insulation for valves, fittings, field casing closures, and other piping system accessories in valve manholes will be of the same types and thicknesses as those provided in the distribution systems' guide specification. All insulation will be premolded, precut, or job fabricated to fit and will be removable and reusable. Insulation jackets will be provided for all pipe insulation in manholes and will comply with the requirements of the particular distribution system guide specification.

6.3.6.1.5 Isolation flanges. Isolation flanges will be provided when connecting to an existing cathodically protected heating or cooling distribution system or to prevent a new

system's cathodic protection system from contacting an existing system. The isolation flanges will be installed in the valve manhole and a typical flange detail is shown in Figure 6-3.

6.3.6.1.6 Valve/piping supports. Piping in valve manholes often will need supports within the manhole especially when larger valves or equipment are attached to the piping. These supports will be located on the manhole plans as determined by the designer's expansion compensation calculations for each manhole valving and equipment layout. Typical valve/piping support details are shown in Figure 6-4.

6.3.6.2 Valve manhole construction. Valve manholes will be field constructed of reinforced concrete conforming to the current criteria. Valve manholes will be constructed of 4,000 psi minimum compressive strength concrete. Reinforcing bars will conform to ASTM A 615, grade 60. Typical reinforcing steel details and sizing are shown in Figure 6-5 and Table 6-2 respectively. Concrete floor slabs and walls will be of sufficient weight to prevent flotation in high water table areas. Floor slabs will be sloped to the drain which will be installed in the floor slab. Concrete wall sections will be not less than 8 inches thick and must meet anticipated load and soil conditions. Side walls will be constructed in a monolithic pour. Water stops will be provided at all construction joints. Do not locate valve manholes in roads or parking areas which create an inadequate amount of manhole ventilation and poor access.

3.6.3 Valve manhole covers. The valve manhole cover types discussed here are: raised solid plate, supported cover, and concrete.

3.6.3.1 Raised solid plate covers. Raised solid plate covers are preferred for HTHW and steam/condensate systems installed in Pre-Engineered Underground Heat Distribution Systems. For shallow concrete trench systems, the raised solid plate cover's raised feature will interfere with the trench's walkway function. When the valve manhole cover must remain flush with the trench top, the supported cover is the preferred type. For the raised solid plate cover, ventilation openings are provided around the entire perimeter below the raised top. The height of the valve manhole wall above grade (6 inches, minimum) shall be sufficient to prevent surface water entry. The

solid plate cover assembly is removable. The cover, constructed of aluminum, also provides sectionalized access for inspection and maintenance. The solid plate cover raised frame design and section, lifting lug, and handle details are shown in Figure 6-6 through 6-12. Figure 6-13 contains notes for raised solid plate cover figures.

6.3.6.3.2 Supported covers. Supported covers may be used for any distribution system covered here. For Pre-engineered Underground or Prefabricated Underground Heat Distribution Systems, design the cover to be at least 6 inches above the surrounding grade. When used for concrete shallow trench systems, the finished top will be flush with the concrete trench top. Required grates or other structural members used for supporting covers to be made of corrosion resistant material such as aluminum or galvanized steel. Details for the supporting cover are shown in Figures 6-14 through 6-18. These details are designed for loadings up to 150 psf and must be re-evaluated for larger loadings. Other structural solutions for supporting the checkered plate are acceptable. The checkered plate cover (also referred to as diamond or embossed plate) as shown in Figure 6-18, will be installed over grating or other structural supports in most locations to minimize the influx of leaves and other debris. The checkered plate is attached to the grating and is removable.

6.3.6.3.3 Concrete covers. The use of concrete covers is discouraged, but, if used, they must be used with 4 x 4 ft. aluminum doors for any distribution system covered in this manual. Concrete covers should only be used if desired by the user or if specific design conditions exist, such as below to aboveground system transitions. When used for Pre-engineered Underground or Prefabricated Underground Heat Distribution Systems, design the top of the concrete cover to be a minimum of 6 inches above the surrounding grade. When used for concrete shallow trenches, design the cover to be flush with the trench top. Concrete requirements for this cover are similar to those required for valve manhole construction. Concrete cover will be provides construction details for this cover. The concrete cover detailed is designed for loadings up to 150 psf. For greater loadings, the design must be re-evaluated. A disadvantage of concrete covers is the difficulty in providing ventilation. For concrete shallow trench systems, a single 6 inch gooseneck pipe will be used, as detailed in Figure 3-21, to allow steam to exit the valve manhole if a leak or excessive heat loss is present. Note that for shallow

trench systems, the gooseneck will be installed off to one side of the valve manhole concrete top to minimize pedestrian traffic interference. For Pre-engineered Underground Heat Distribution Systems, two 6 inch goosenecks will be used. One will extend below the top as detailed in Figure 6-21. The other will be similar but will extend to within 8 inches of the valve manhole floor on the opposite side of the manhole.

6.3.6.4 Valve manhole drainage. Drainage of water from the valve manhole is mandatory for the successful operation and longevity of buried heating or cooling distribution systems. There are three types of valve manhole drainage systems described in this manual: gravity drainage, pumped drainage from a sump basin, and pumped drainage from the valve manhole.

6.3.6.4.1 Gravity drainage. The most cost effective and lowest maintenance system is gravity drainage to a storm drain when location, depth of existing storm drains, and local regulatory requirements allow this possibility. Drainage lines will be 6 inches in diameter minimum and will conform to the latest storm drain criteria and will be sloped at one percent, minimum. Valve manhole outlet will be a floor drain with backflow preventer to prevent storm water inflow from the storm drain (see Figure 6-22). Note that valve manhole drain outlets shall be covered with a "hat type" cast iron pipe screen to minimize the accumulation of trash over the drain inlet. Also, the manhole floor will be sloped toward the drain.

6.3.6.4.2 Pumped drainage from sump basin. For pumped drainage, a duplex submersible pump system installed in a remote sump basin may be provided as indicated in Figures 6-23 and 6-24. The sump basin will be located no more than 10 feet from the valve manhole. Drainage from the valve manhole to the sump basin will be similar to drainage to a storm drain including the valve manhole floor drain (Figure 6-22). Discharge from the pumps can be routed to a splashblock at grade or to an adjacent storm sewer. Design of the surrounding grade must ensure drainage away from the sump basin, valve manhole and concrete shallow trench (if used) when discharging to grade. A power pedestal complete with failure warning light will be provided with each basin as shown in Figure 6-25. A typical wiring diagram and sequence of operation are shown in Figure 6-26. A specification for the sump basin

system can be included in the applicable manhole or heat distribution section of the contract specification. The sump basin design has proven to operate well even in the colder climates of the upper tier states in the continental United States. It is also an excellent method to retrofit existing manholes that currently do not drain properly. The remote sump basin increases the life of the systems by removing the sump pump and pump controls from the hot, humid environment of the manhole. Also, pump maintenance will be done outside of the manhole. The pumps are easily disconnected and lifted to grade. The sump pumps used in the sump basin must incorporate the design characteristics listed in Table 6-3.

6.3.6.4.3 Pumped drainage from valve manhole. Another means to pump water from the manhole is to locate the duplex sump pumps in the valve manhole. Typically, a 2'0" by 2'0" by 1'0" (deep) sump will be provided in a corner of the valve manhole. The duplex sump pumps will be installed to pump out of this sump. Valve manhole sump pump electrical arrangement should be installed as shown in Figure 6-27. The control panel with high level warning light will be mounted adjacent to the valve manhole at grade. This keeps the electrical panel out of the hot, humid environment of the manhole. The sequence of operation and wiring diagrams will meet the requirements of Figure 6-26. Pump discharge can be routed to a splashblock at grade (similar to the sump basin discharge piping arrangement on Figure 6-23) or to an adjacent storm drain. Electric sump pumps used in the valve manholes must incorporate the design characteristics listed in Table 6-3. Note that life of the pumps are typically shortened when installed in the hot and humid valve manhole environment.

6.3.6.5 General.

6.3.6.5.1 Valve manhole wall penetrations. A design must be provided for the distribution system wall penetrations. For a shallow trench system, the wall penetrations will typically be the same size as the inside dimension of the shallow trench connecting to the valve manhole. Structural reinforcement must be designed around this opening. Drainage from the trench will then flow into the manhole. For Pre-engineered or Prefabricated Underground Heat Distribution Systems, sleeved openings

will typically be provided with an expandable seal between the casing and the pipe sleeve as indicated on Figure 6-28. Structural reinforcement must be designed to avoid contact with the pipe sleeve and water stop to prevent grounding of the system's cathodic protection.

6.3.6.5.2 Waterproofing. Waterproof membranes will be placed in or below the concrete bottom slab and continued up the outer sides to the top of the sidewalls in accordance with the valve manhole guide specification.

6.3.6.5.3 Pipe anchoring adjacent to valve manholes. Regardless of the buried distribution system, pipe anchors should be provided between 2 to 5 feet of a manhole wall to minimize movement through the manhole. For piping which passes through valve manholes, anchoring on one side only is typically adequate. Anchoring piping on more than one side may restrict piping movement and overstress the piping in the valve manhole. Anchors will typically be provided as part of the distribution system and will not be embedded in the manhole wall. However, if the manhole is used to support an anchor, the manhole must be designed to withstand the forces exerted by the system. Expansion compensation stress calculation will always be conducted to ensure proper anchor locations throughout the distribution system. These calculations must also account for the expansion in the valve manholes.

6.3.6.5.4 Piping materials in valve manholes. Nonmetallic piping must not be used in the same valve manholes as piping carrying higher temperature media that could cause the temperature around the non-metallic piping to exceed the allowables and potentially cause permanent damage to the non-metallic piping. In addition, chilled water systems with PVC carrier piping must never be installed in the same valve manhole with any heating system.

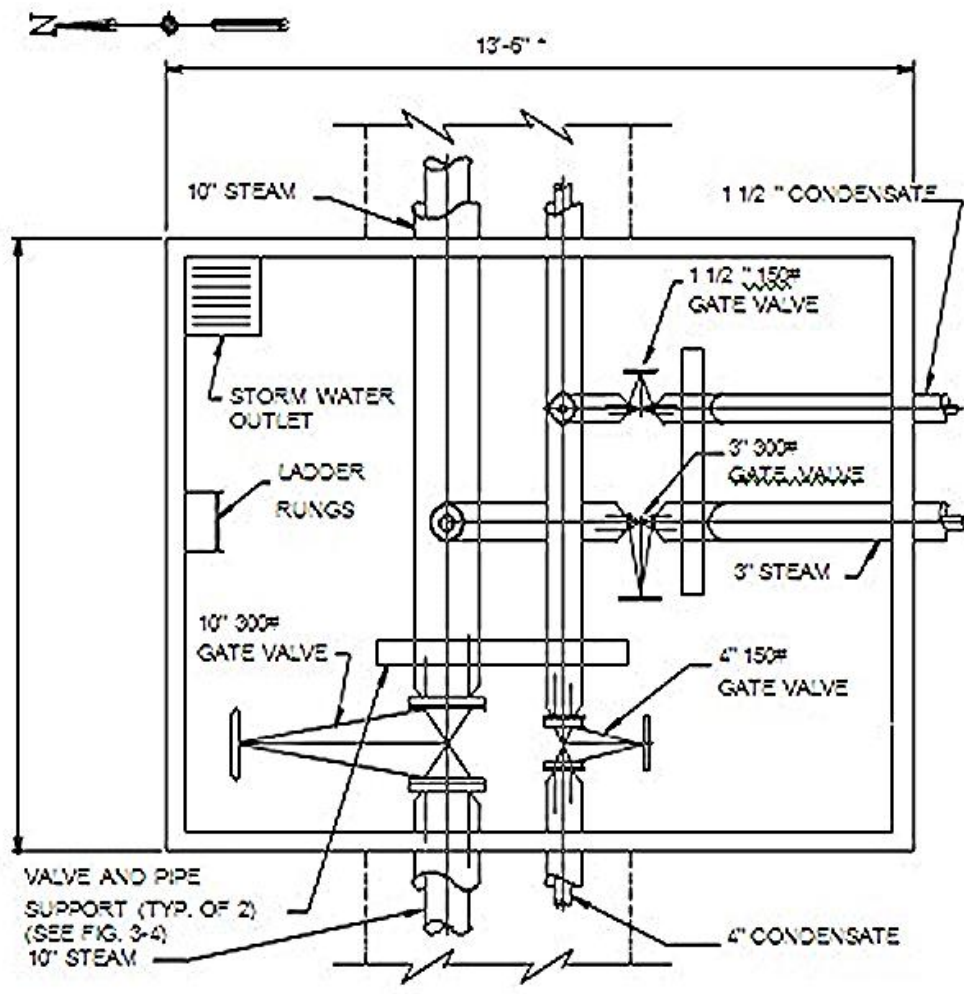
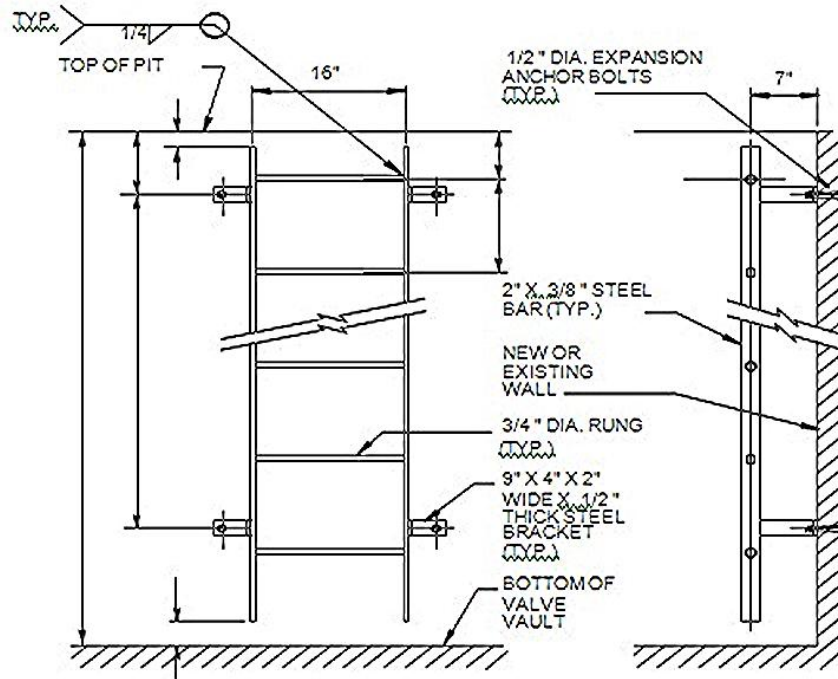
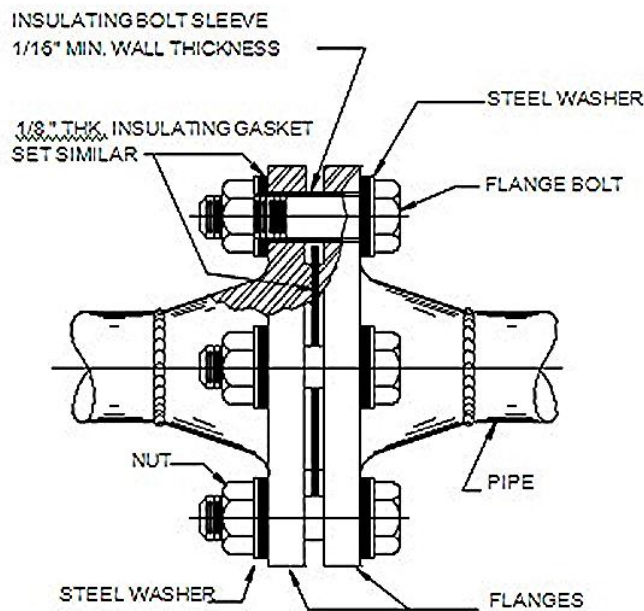


Figure 6-1



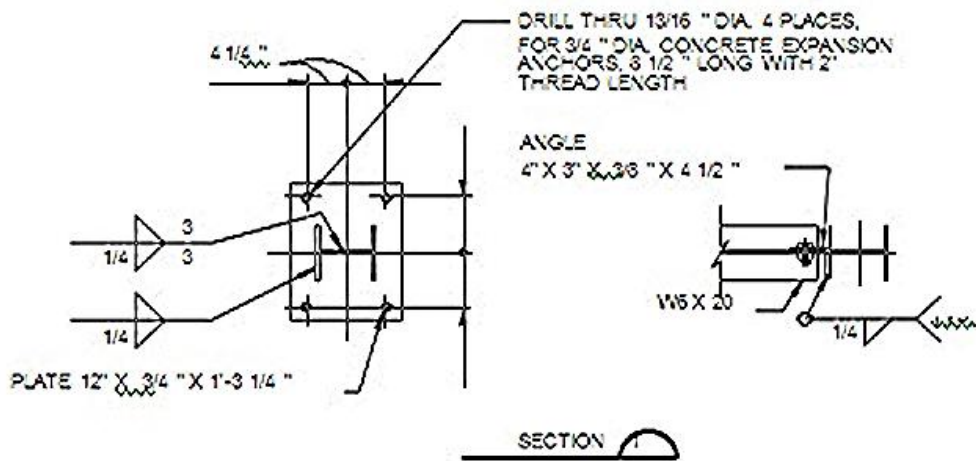
ACCESS LADDER

Figure 6-2



ISOLATION FLANGE

Figure 6-3



NOTES:

1. PIPING SHALL REST ON THIS PIPE SUPPORT BY MEANS OF A FREE PIPE SHOE (SUPPORT) AS DETAILED IN FIG. 6-1. PIPE SHOES SHALL BE CENTERED ON THE TOP BEAM OF THIS SUPPORT IN THE COLD CONDITION.

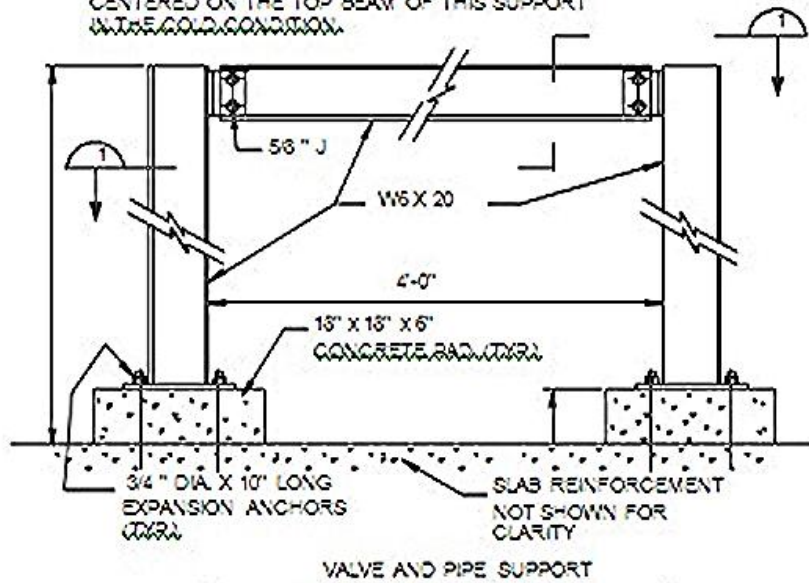
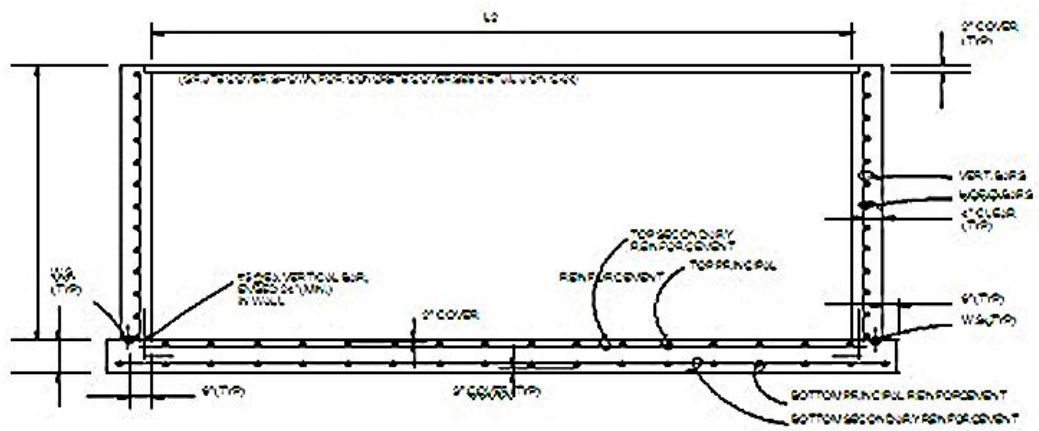
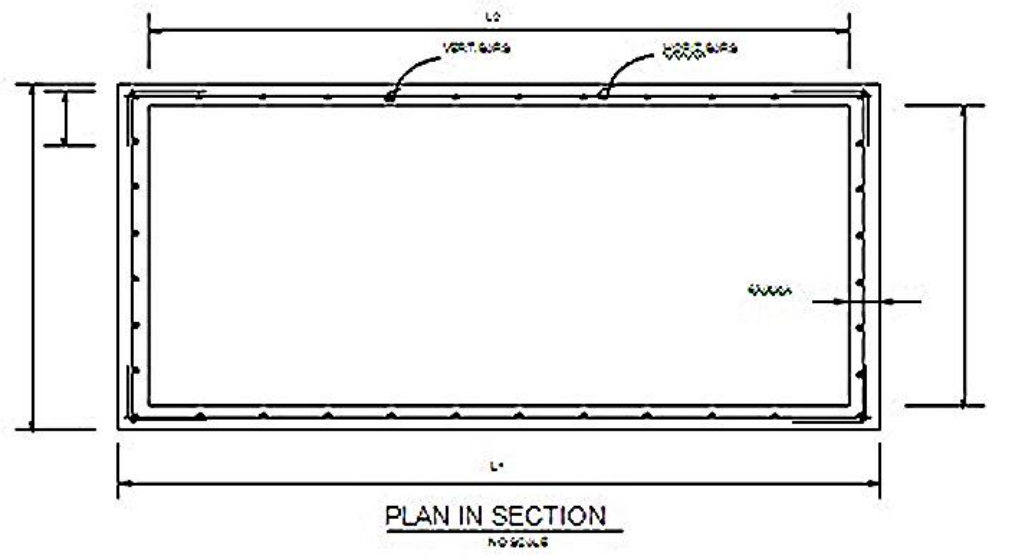


Figure 6-4



MANHOLE ELEVATION IN SECTION

Figure 6-5

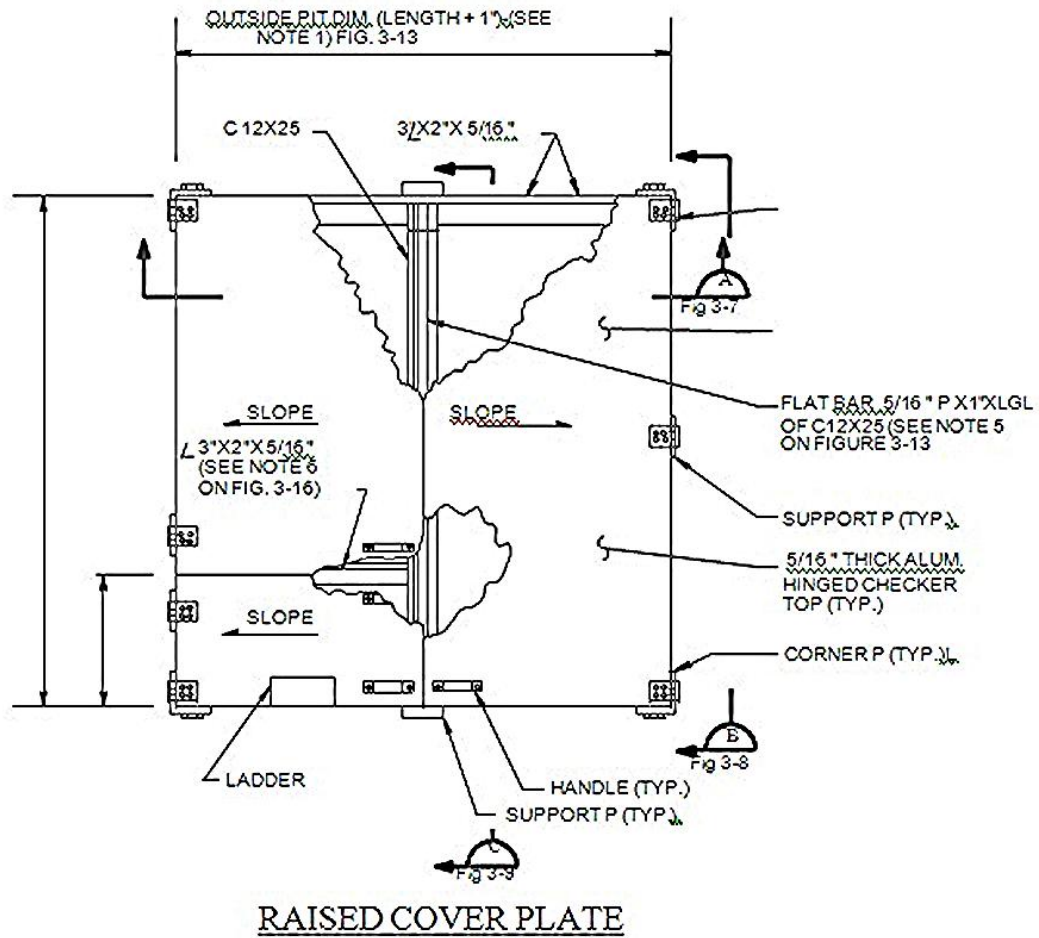
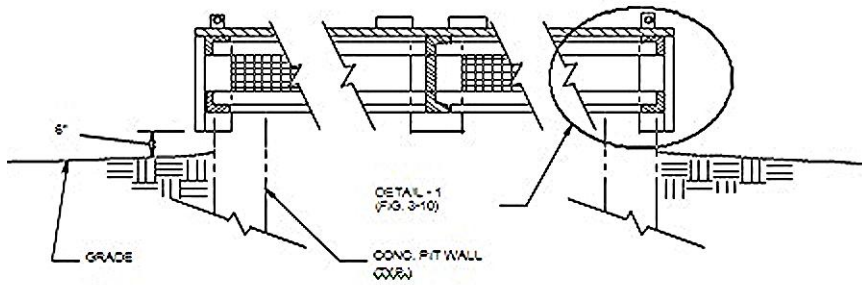
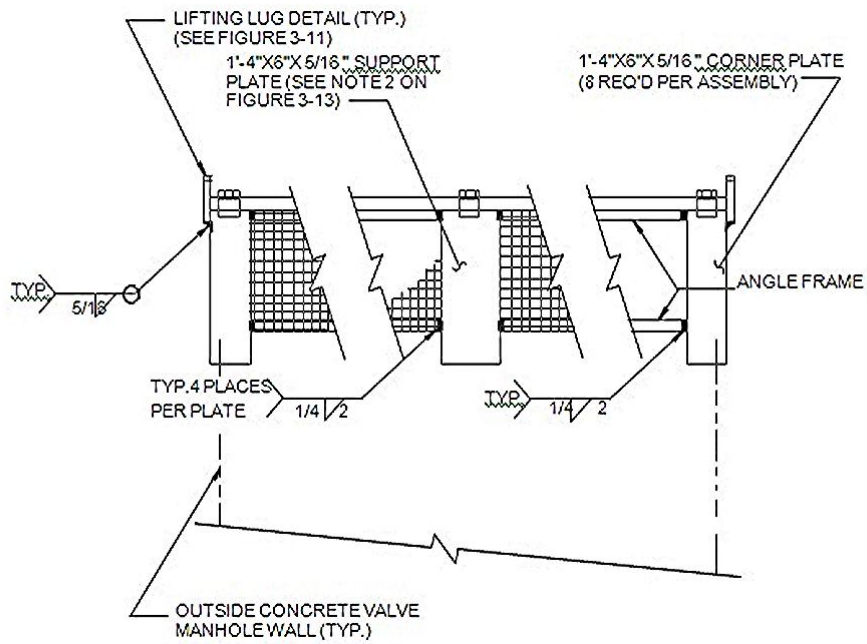


Figure 6-6



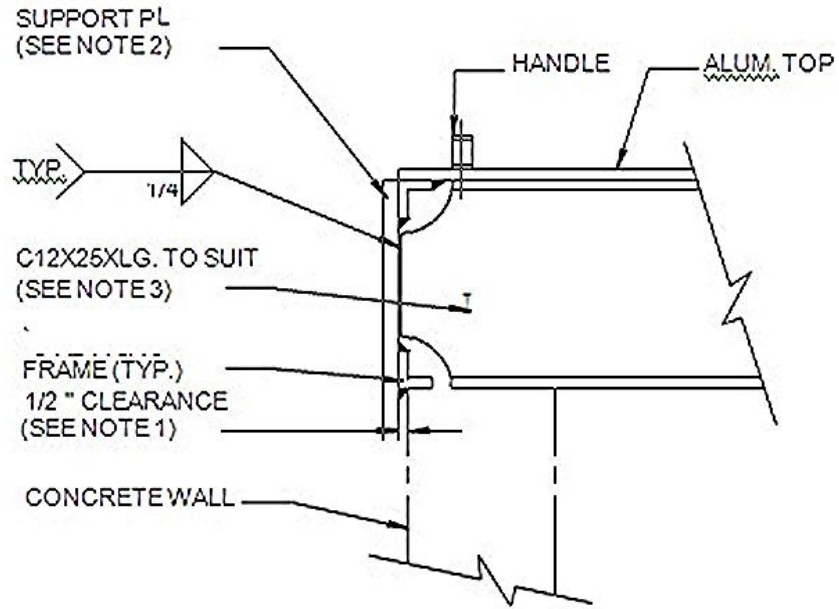
SECTION A-A OF RAISED COVER PLATE

Figure 6-7



SECTION B-B OF RAISED COVER PLATE

Figure 6-8



NOTE:
NOTES ARE LOCATED ON FIG. 3-13.

SECTION C-C OF RAISED COVER PLATE

Figure 6-9

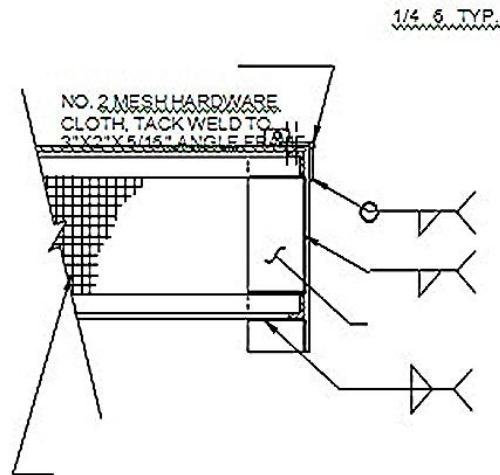
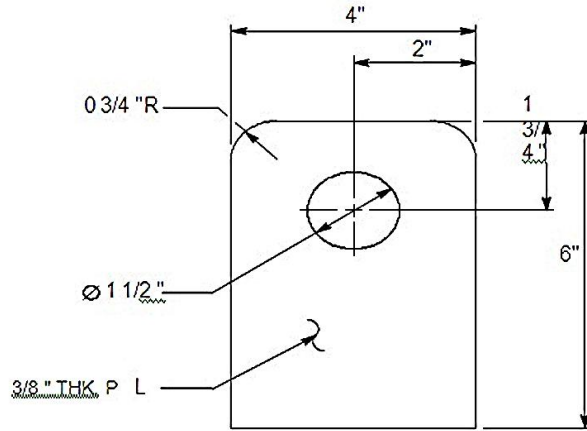


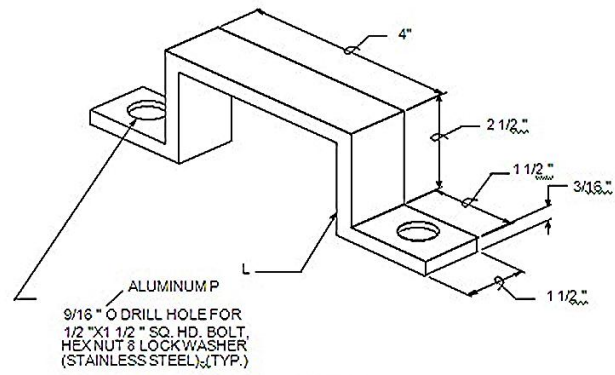
Figure 6-10



NOTE: 4 LUGS REQ'D PER ASSEMBLY

LIFTING LUG

Figure 6-11



NOTE: 2 HANDLES REQ'D PER HINGED TOP,
MIN. 8 PER PIT COVER ASSEMBLY.

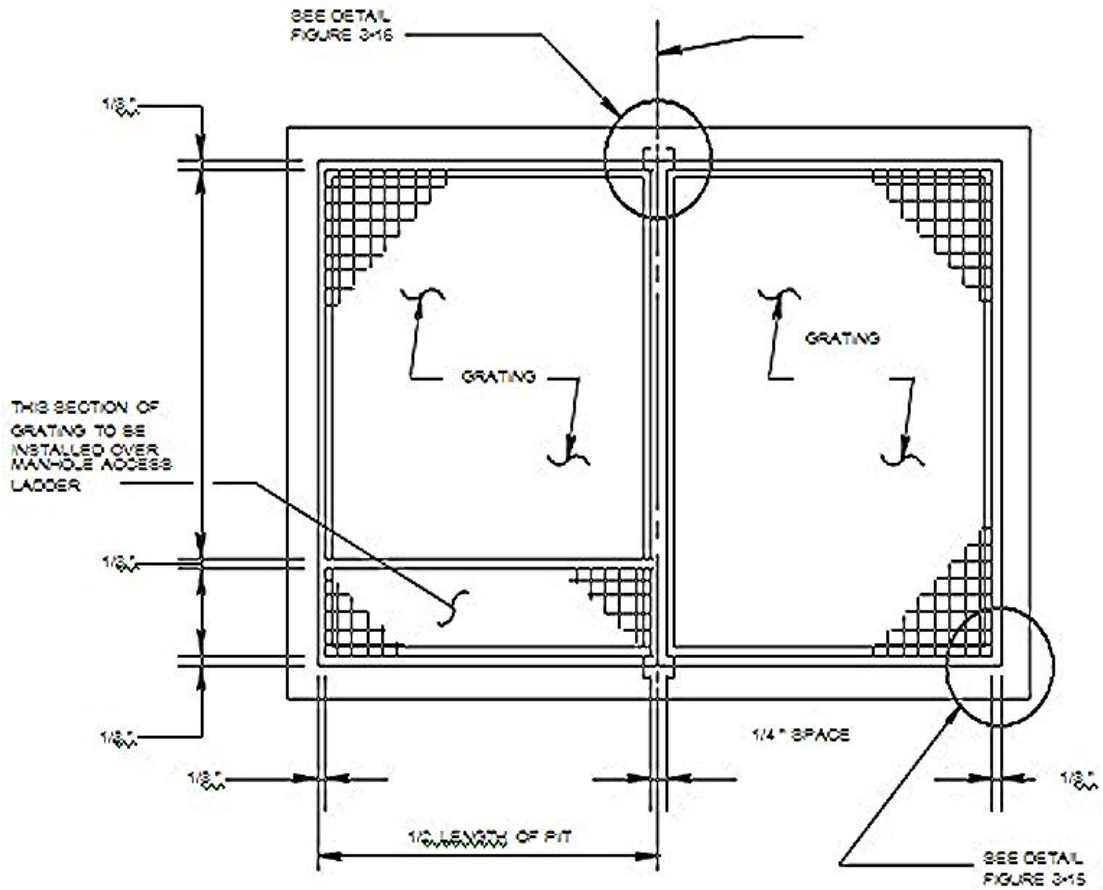
HANDLE

Figure 6-12

GENERAL NOTES: (FOR RAISED COVER PLATE)

1. FIELD VERIFY OUTSIDE DIMENSIONS OF NEW MANHOLE BEFORE CONSTRUCTING MANHOLE COVER ASSEMBLY. ADD 1" TO OUTSIDE MANHOLE DIMENSIONS (TO ALLOW FOR CLEARANCE) TO DETERMINE INSIDE ASSEMBLY DIMENSIONS.
2. EACH SUPPORT PLATE SHALL BE LOCATED HALFWAY BETWEEN CORNER PLATES AT 3 SIDES OF MANHOLE. 2 SUPPORT PLATES SHALL BE LOCATED BETWEEN 2 SPLIT ALUM. CHECKER TOP AT ONE SIDE OF MANHOLE.
3. SUPPORT CHANNELS SHALL BE C12X25XLG, TO EQUAL WIDTH OR LENGTH DIM. PLUS 1" TO SUIT INSIDE ASSEMBLY DIM. THE CHANNEL SHALL REST ON THE CONCRETE MANHOLE TOP AND THE ALUM. TOP SHALL REST ON THE FLAT BAR PLATE.
4. CHANNEL SUPPORT, CORNER PLATES, SUPPORT PLATES, ANGLE FRAME HARDWARE CLOTH, AND LIFTING LUGS SHALL BE HOT-DIPPED GALVANIZED BEFORE INSTALLATION ON VALVE MANHOLES.
5. FLAT BAR 5/16" THK. WELDED TO TOP OF C12X25 TO MAKE ALUM. CHECKER TOP SLIGHTLY SLOPED AS INDICATED. LOCATE FLAT BAR TO MATCH CHANNEL BEFORE WELDING.
6. ANGLE 3"X2"X 5/16" WELDED TO C12X25 8 3"X2"X5/16" AT EACH END LENGTH SHALL EQUAL HALF OF LENGTH OR WIDTH OF VALVE MANHOLE.

Figure 6-13



TYPICAL SUPPORTED COVER PLAN
(GRATE SUPPORT)

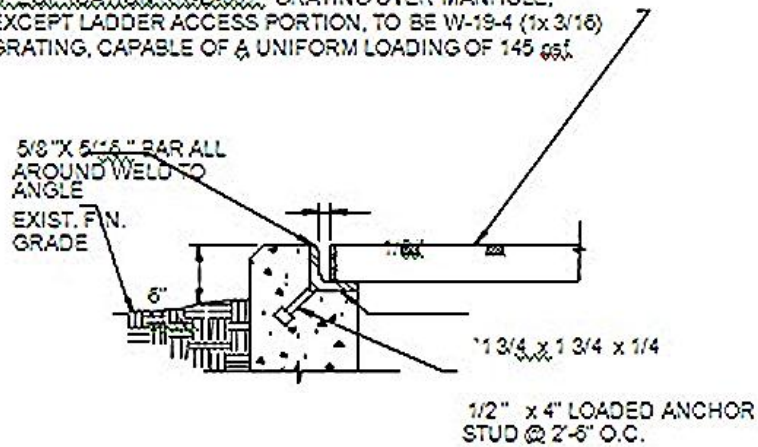
NO SCALE

NOTE TO DESIGNER:

GRATES IN FIGURES 3-14 THRU 3-16 ARE FOR LOADINGS UP TO 150 psf.
LOADINGS GREATER THAN THESE MUST BE DESIGNED FOR ON A CASE BY CASE BASIS.

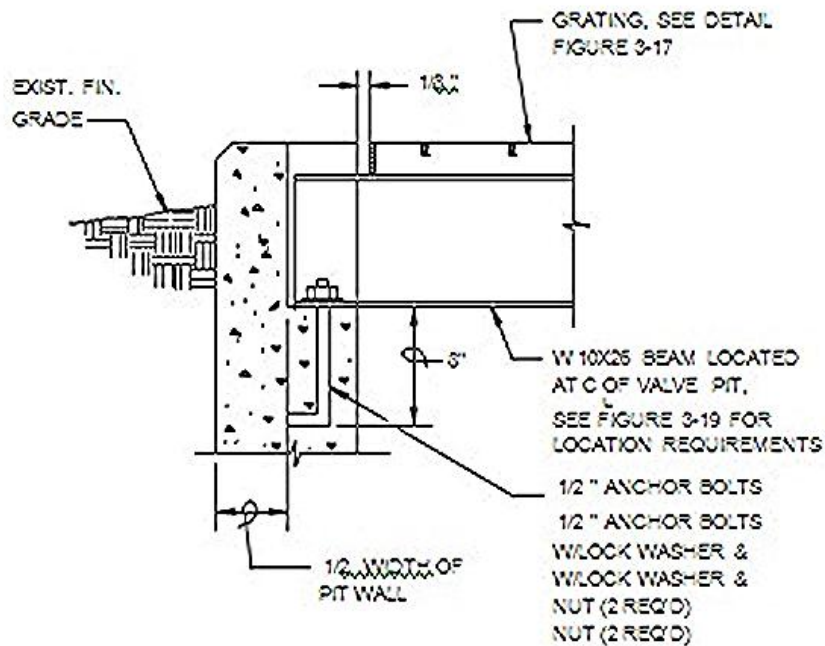
Figure 6-14

GRATING SHALL BE GALVANIZED AND CONFORM TO
 FEDERAL
 SPECIFICATION RR-G-661, GRATING OVER MANHOLE,
 EXCEPT LADDER ACCESS PORTION, TO BE W-19-4 (1x 3/16)
 GRATING, CAPABLE OF A UNIFORM LOADING OF 145 psf.



ANGLE SUPPORT FOR GRATING

Figure 6-15

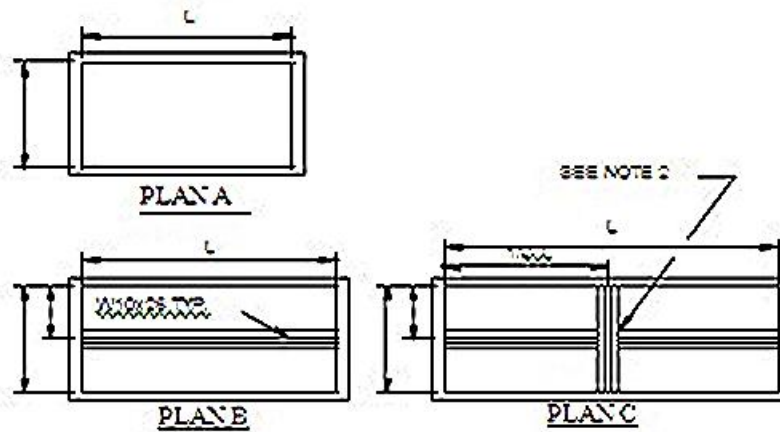


STRUCTURAL SUPPORT FOR GRATING

Figure 6-16

GRATING SUPPORT STEEL			
VALVE M.H. PLAN	WIDTH (ft)	LENGTH (ft)	REMARKS
A	4 OR LESS	AS REQD	NO MEMBER REQD
B	GREATER THAN 4 NOT TO EXCEED 12	AS REQD NOT TO EXCEED 12	ONE MEMBER REQD
C	GREATER THAN 12 NOT TO EXCEED 16	GREATER THAN 12 NOT TO EXCEED 16	THREE MEMBERS REQD

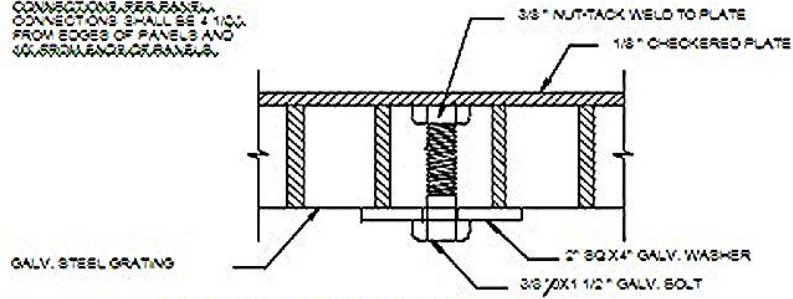
NOTE:
 1. FOR VALVE MANHOLE WITH DIMENSIONS L & W GREATER THAN 16 FEET REQUIRES STEEL MEMBERS AND GRATING TO BE DESIGNED FOR UNIFORM LOADING OF 40 PSF.
 2. WHERE LOCATED STEEL MEMBERS MUST BE DESIGNED FOR LOADING AND DIMENSIONS INDICATED.



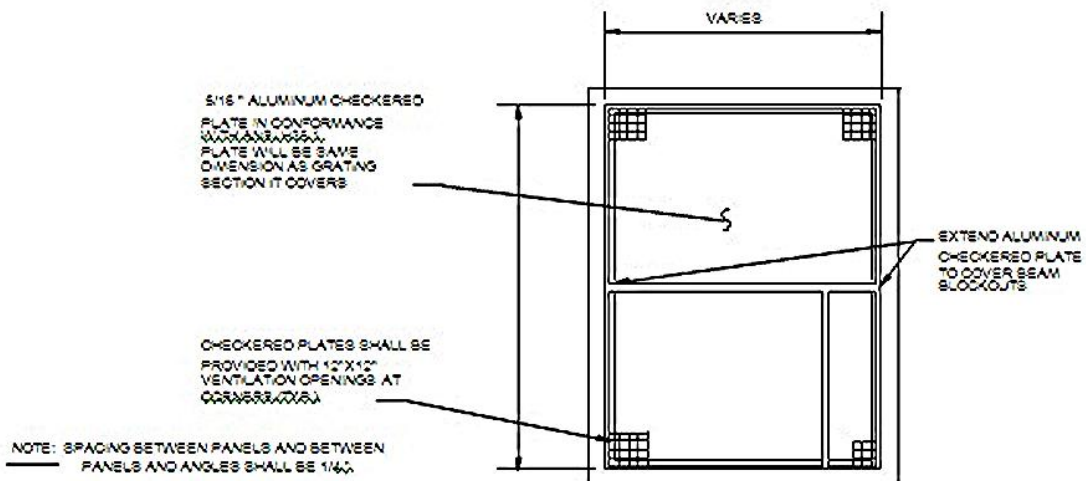
GRATING SUPPORT STEEL LOCATIONS
 NO SCALE

Figure 6-17

NOTE: PROVIDE A MINIMUM OF 4 CONNECTIONS PER PANEL. CONNECTIONS SHALL BE 4" MIN. FROM EDGES OF PANELS AND 1/4" FROM ENDS OF BEAMS.



CONNECTION FOR ATTACHING CHECKERED PLATE TO GRATING

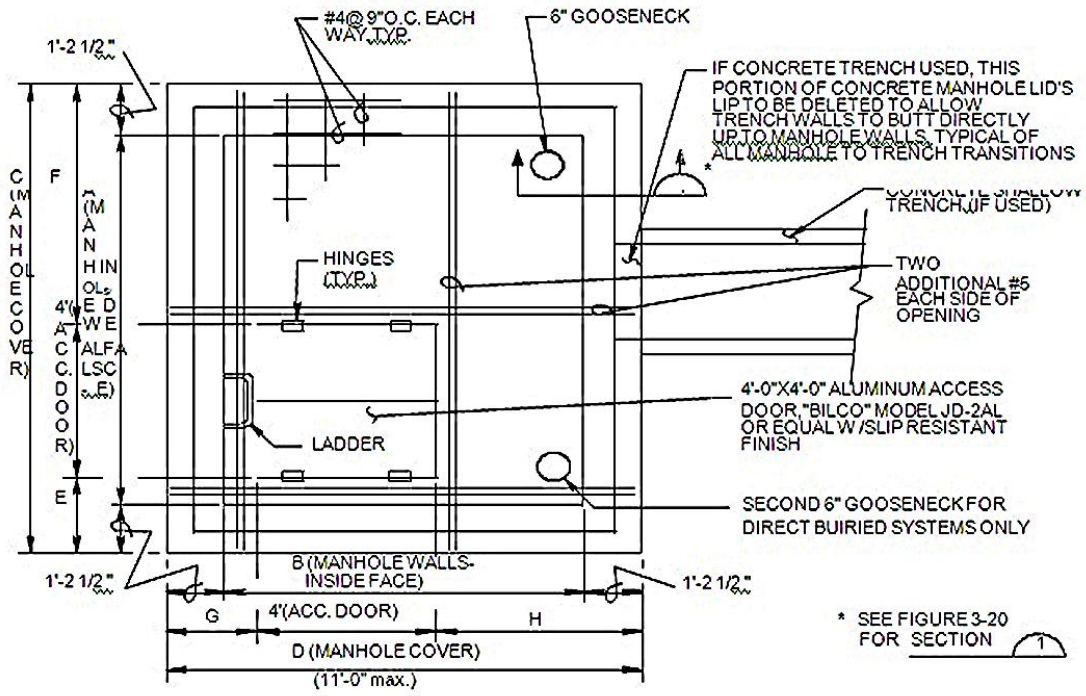


OPEN GRATE COVER W/CHECKER PLATE

CHECKER PLATE COVER DETAILS

NO SCALE

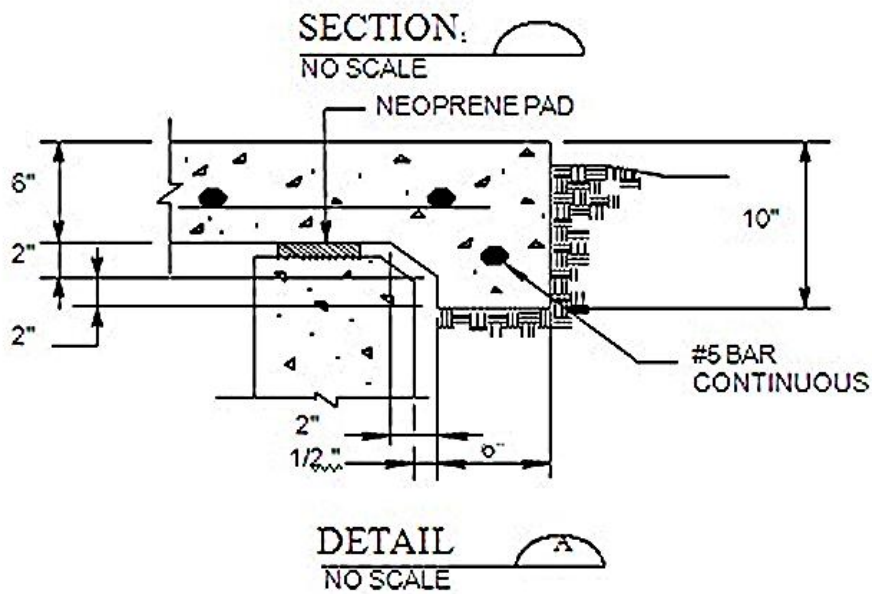
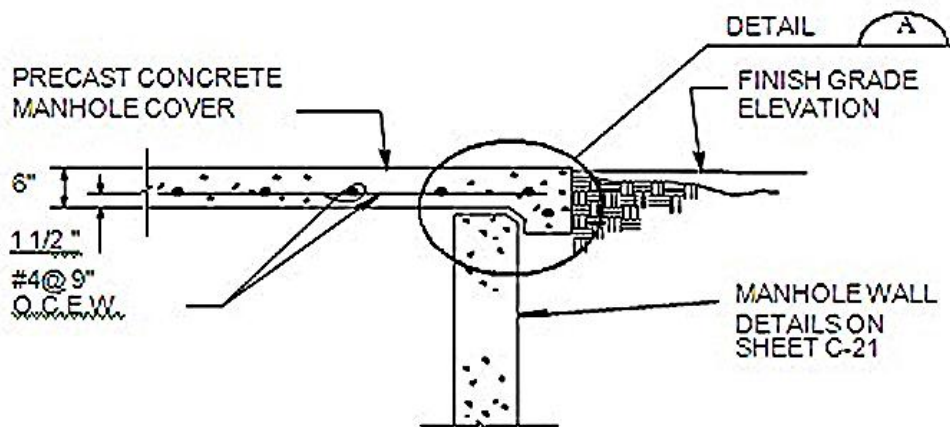
Figure 6-18



CONCRETE COVER PLAN

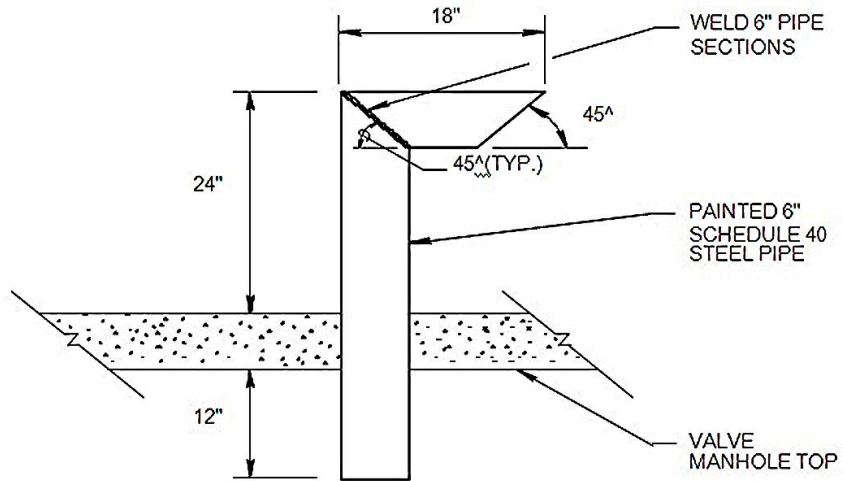
NO SCALE

Figure 6-19



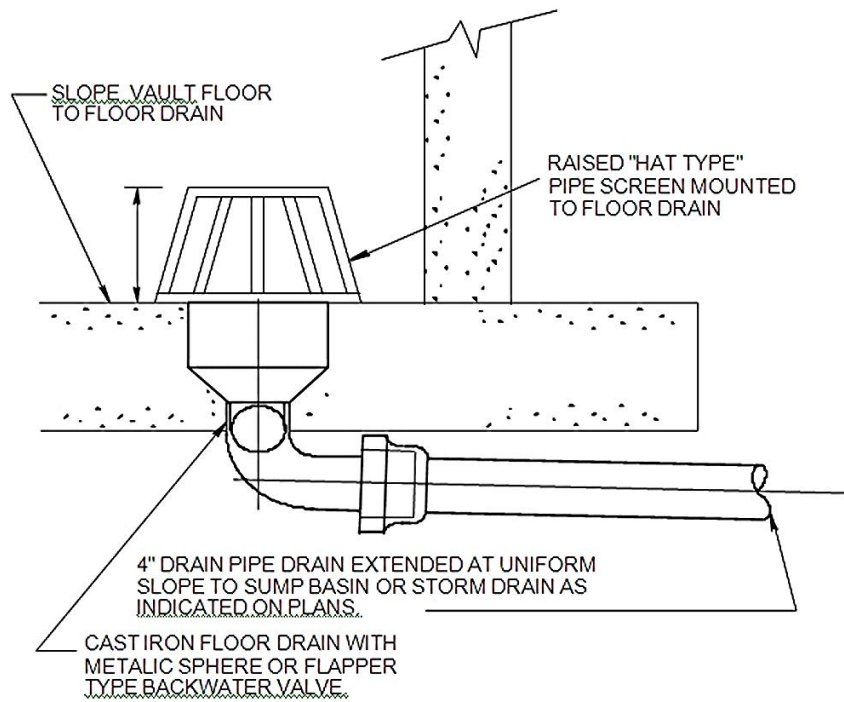
CONCRETE COVER DETAILS

Figure 6-20



TYPICAL GOOSENECK DETAIL

Figure 6-21



VALVE MANHOLE FLOOR DRAIN

Figure 6-22

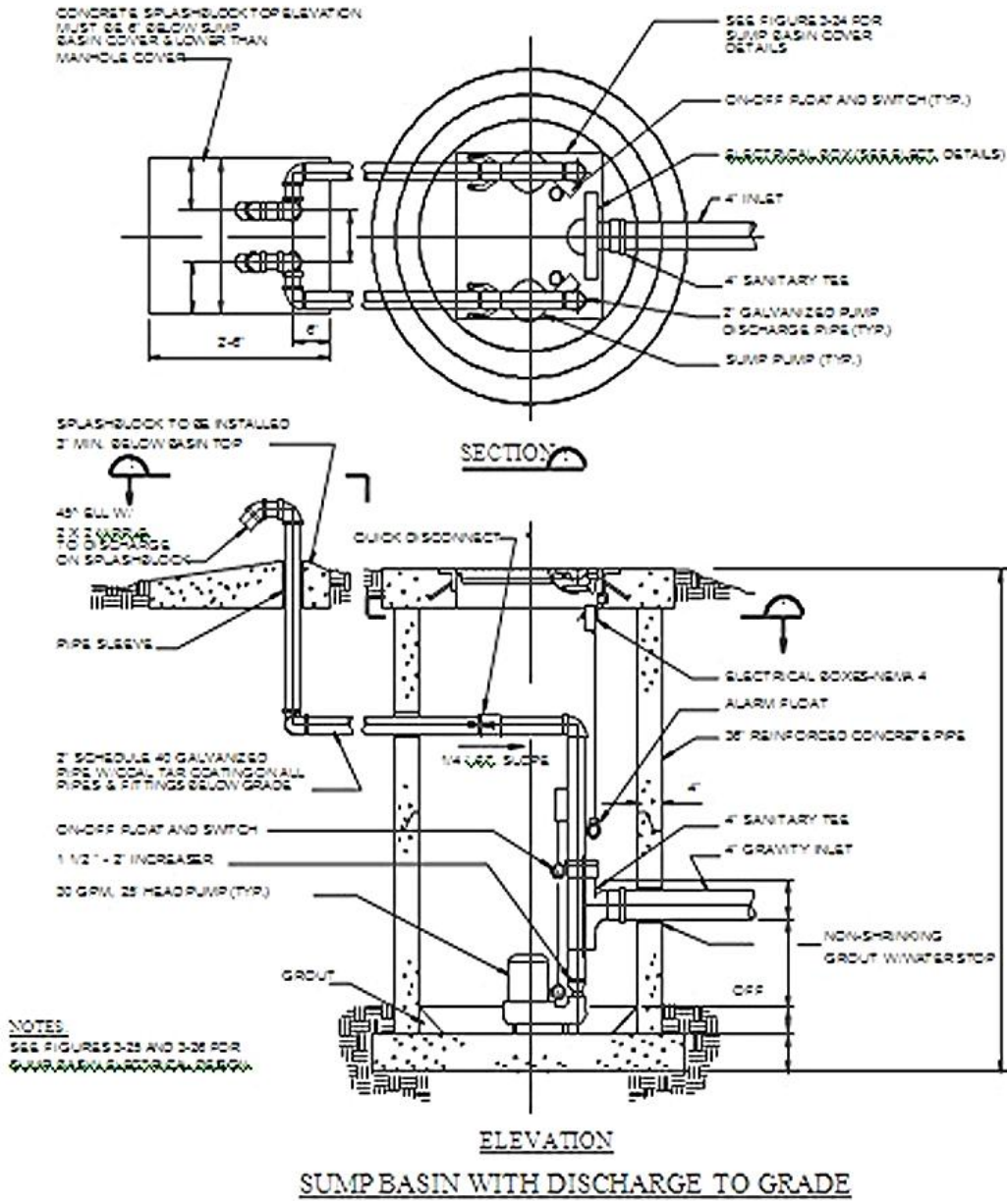


Figure 6-23

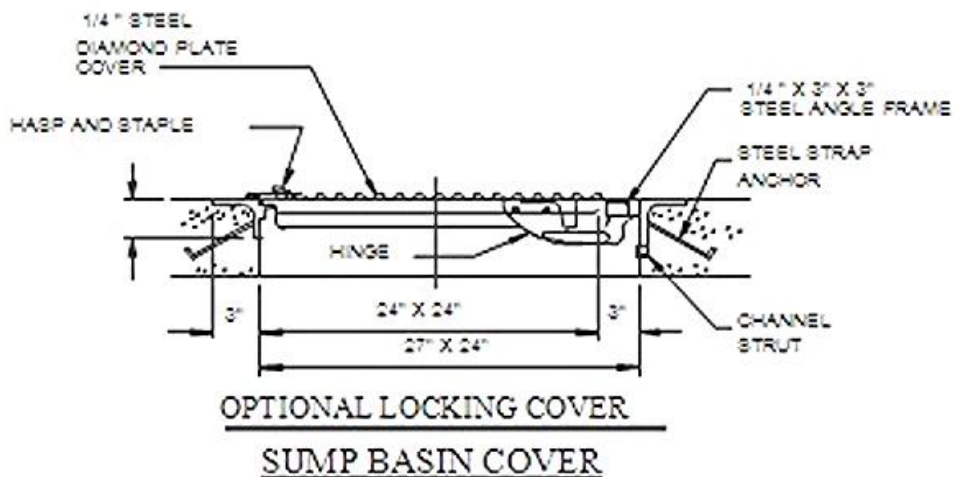
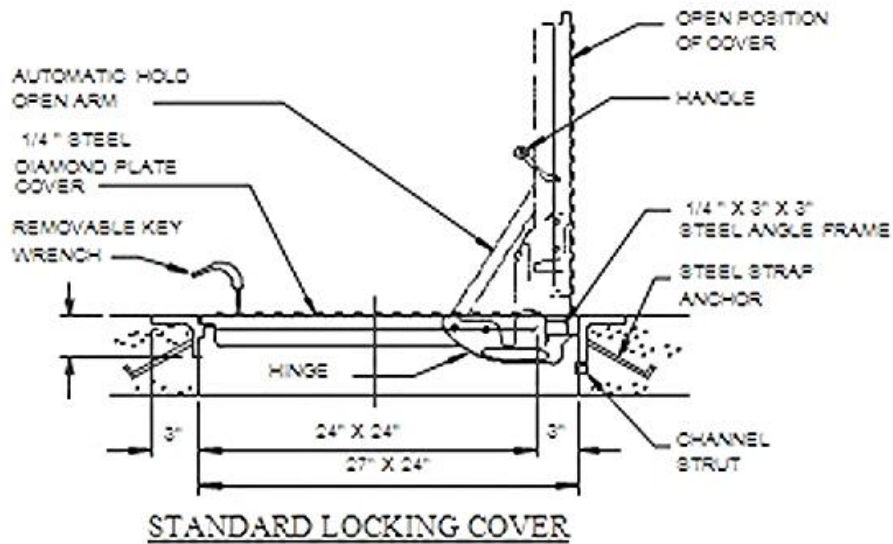
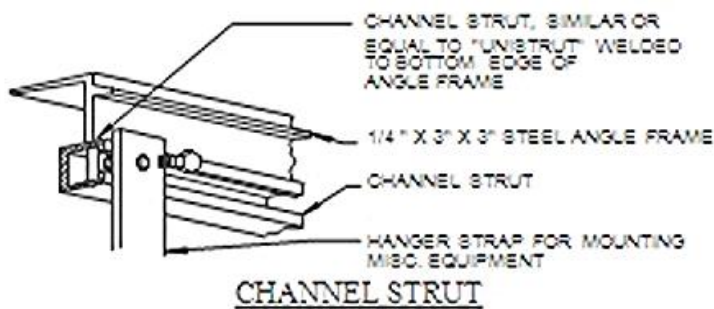
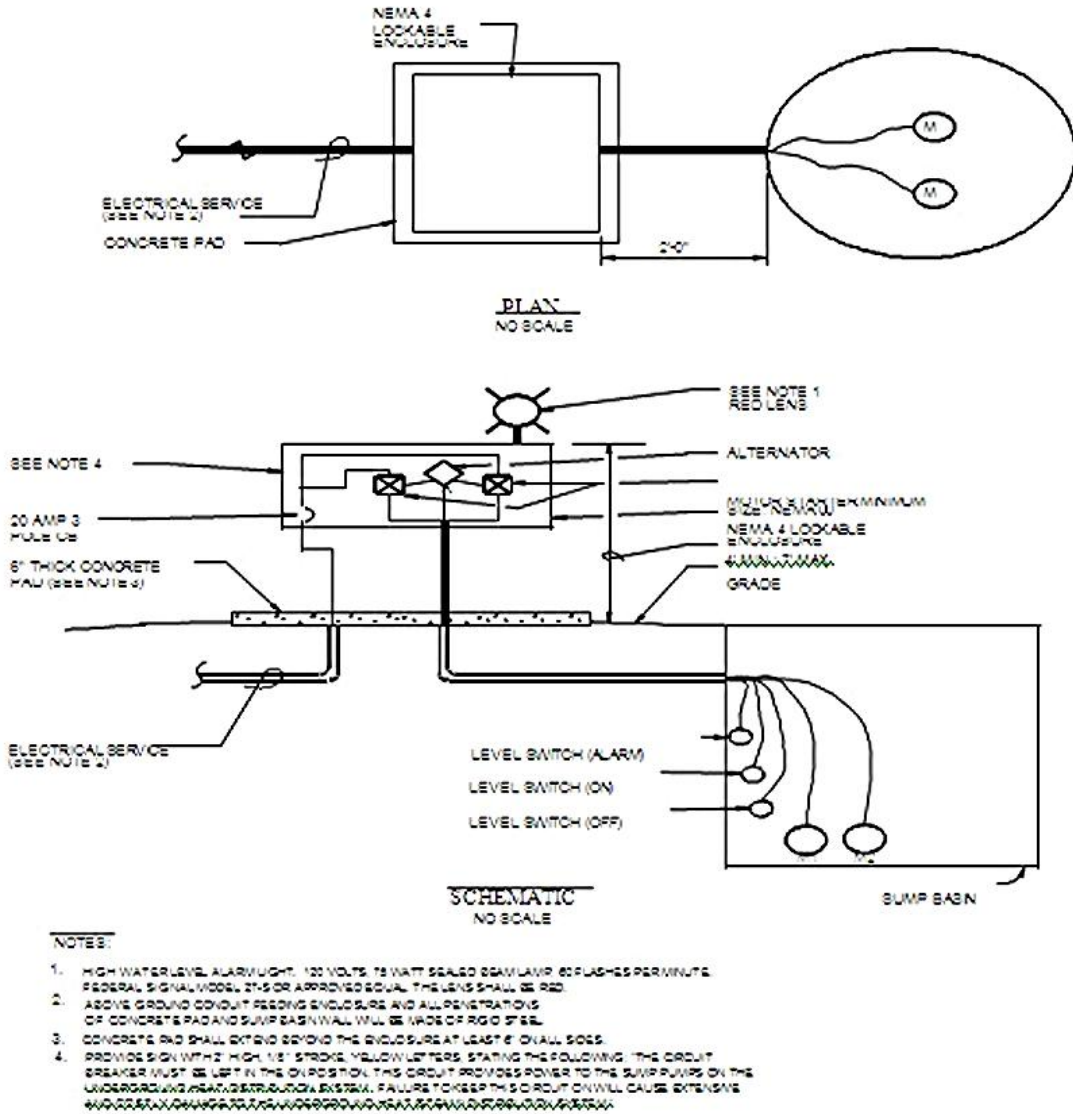
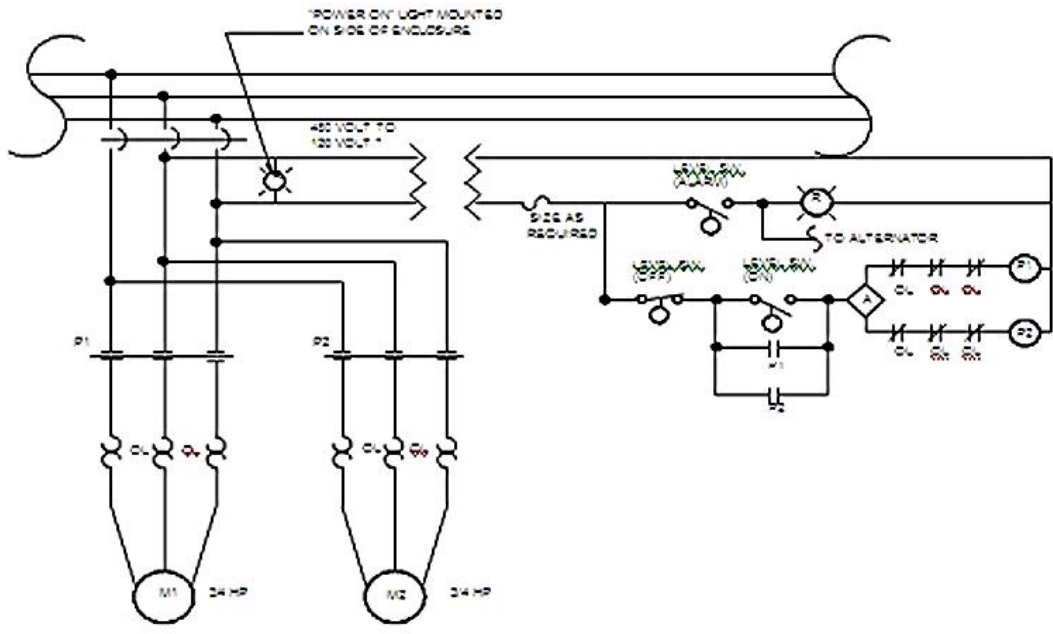


Figure 6-24



SUMP BASIN ELECTRICAL DETAILS

Figure 6-25



SEQUENCE OF OPERATION:

THE ALTERNATOR SHALL OPERATE A PUMP UPON WATER LEVEL REACHING LEVEL SWITCH ON AND DEENERGIZE IT WHEN THE WATER LEVEL FALLS BELOW LEVEL SWITCH OFF. IT SHALL ALTERNATE PUMPS ON EACH SUCCESSIVE CLOSING OF LEVEL SWITCH ON. IF THE WATER CONTINUES TO RISE PAST THE ALARM LEVEL THE RED LIGHT SHALL BE ENERGIZED AND THE 2ND (SECOND) PUMP

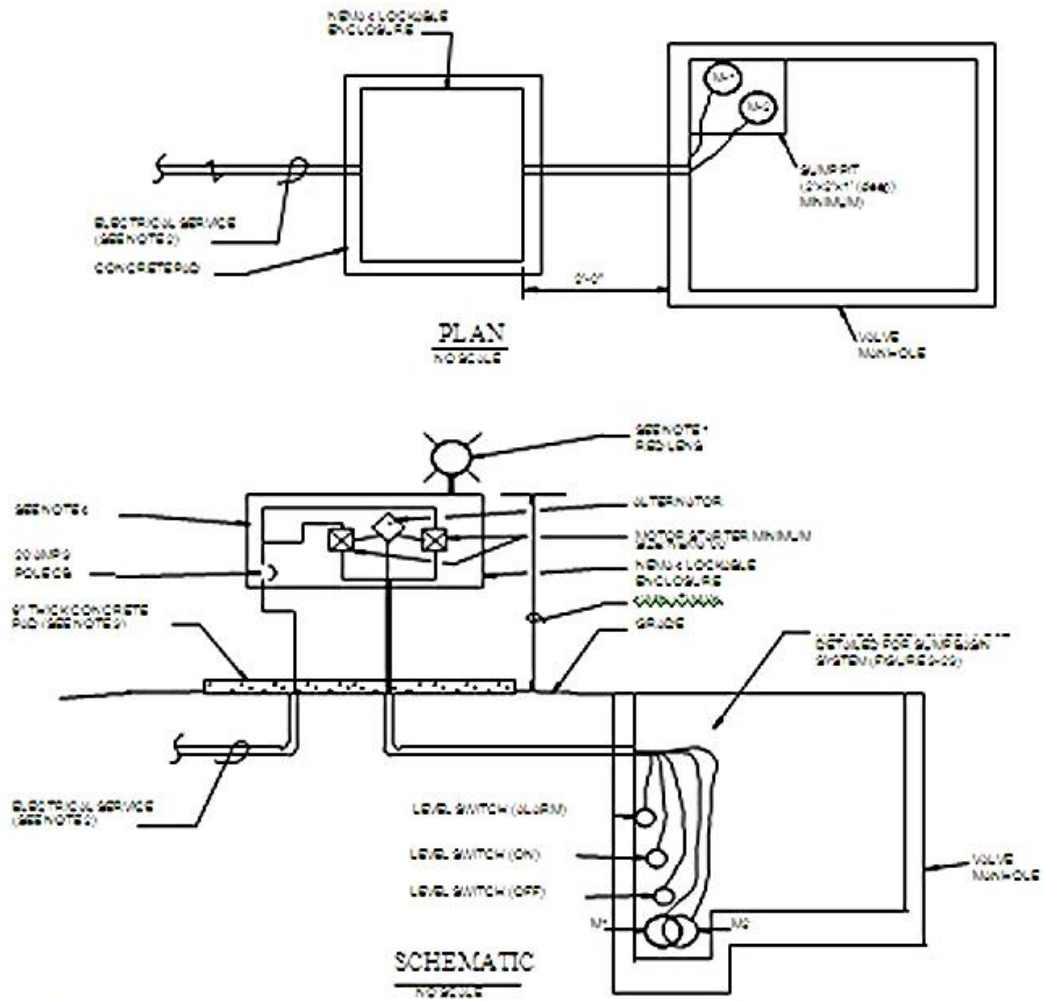
SUMP PUMP CONTROL-3 LINE DIAGRAM

NO SCALE

NOTE TO THE DESIGNER:

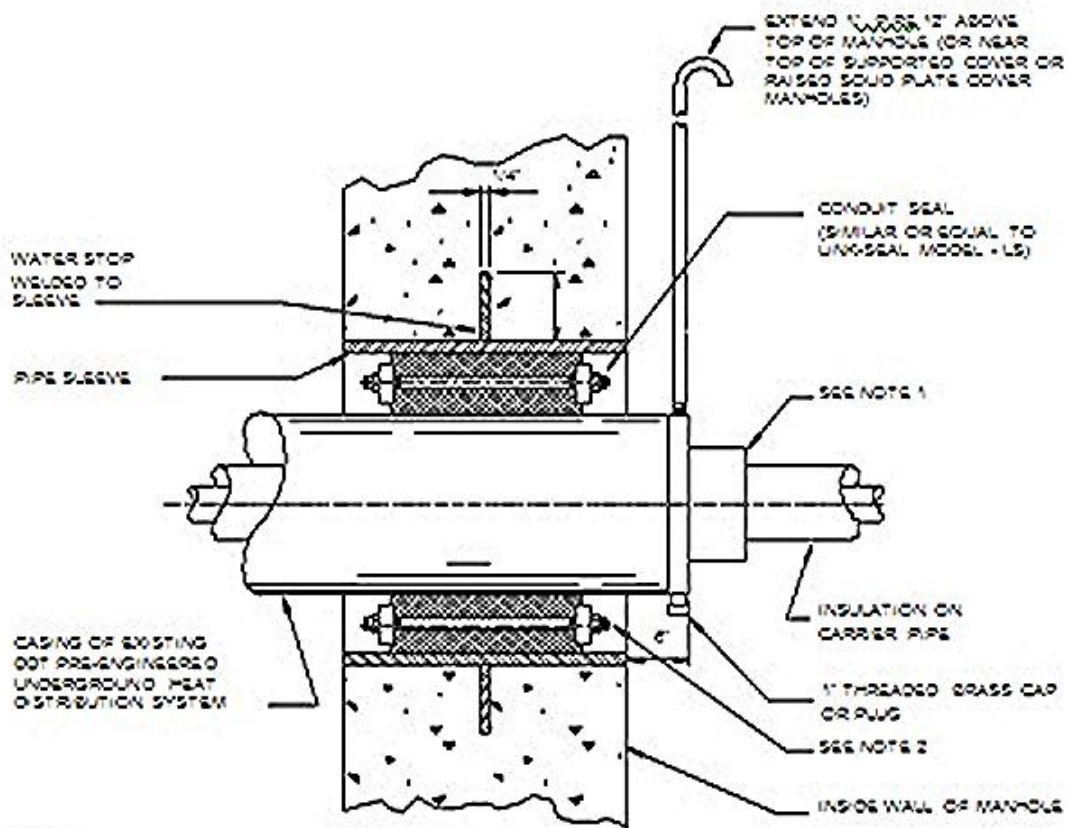
ACTUAL SYSTEM VOLTAGE AND HORSE POWER REQUIREMENTS MUST BE VERIFIED AND DETAILED FOR EACH DESIGN

Figure 6-26



VALVE MANHOLE SUMP ELECTRICAL DETAILS

Figure 6-27



NOTES:

- 1. END SEAL OR GLAND SEAL SHALL BE PROVIDED ON ALL DOT PRE-ENGINEERED BURY SYSTEMS INSIDE MAIN WALLS. CASING AIR SPACE SHALL BE VENTED TO THE EXTERIOR. VENT SHALL HAVE 1" PIPE ROUTED AS INDICATED.
- 2. INSIDE DIAMETER (ID) OF SLEEVE SHALL BE DETERMINED AFTER CASING OUTSIDE DIAMETER (OD) HAS BEEN DETERMINED. GENERALLY, SLEEVE (ID) SHALL BE 3" MORE THAN CASING (OD). VERIFY WITH SEAL MANUFACTURER.

CASING WALL PENETRATION
NO SCALE

Figure 6-28

RECOMMENDED INTERNAL CLEARANCES					
MINIMUM DISTANCE (INCHES) FROM TO	O.D. OF PIPE INSULATION OR CONDUIT	END OF VALVE STEM OR BODY	ELEC. EQUIP.	LADDER	BOTTOM OF TRAP STATION OR DRAIN
WALL	18"	18"	-	6"	18"
FLOOR	24"	24"	35"	12"	12"
TOP OF MANHOLE	18"	12"	6"	6"	35"

NOTES:

1. IN ADDITION TO THE CLEARANCES FOR THE LADDER INDICATED PROVIDE 24" AROUND THE LADDER FOR MAINTENANCE ACCESS.
2. PROVIDE 24" AROUND SIDES OF MANHOLE DRAIN TO ALLOW FOR CLEANING OF DEBRIS.

VALVE MANHOLE CLEARANCES

Table 6-1

VALVE MANHOLE REINFORCEMENT SCHEDULE							
MAXIMUM DIMENSION*		WALL REINFORCEMENT		SLAB REINFORCEMENT			
OUTSIDE L1XW1	INSIDE L2XW2	HORIZONTAL	VERTICAL	BOTTOM PRINCIPAL	TOP** PRINCIPAL	BOTTOM SECONDARY	TOP SECONDARY
9'4"X9'4"	8'0"X8'0"	#5@10"	#5@12"	#4@18"	#5@10"	#4@18"	#4@18"
15'4"X15'4"	14'0"X14'0"	#5@6"	#5@10"	#4@18"	#5@10"	#4@18"	#4@18"

NOTES TO THE DESIGNER:

* L1,L2,W1, AND W2 DIMENSIONS FROM FIGURE 3-5. MAXIMUM DEPTH (H1) FOR THIS TABLE IS 8'0"

** PRINCIPAL REINFORCEMENT WILL SPAN THE SHORTER DIMENSION

REINFORCED CONCRETE DESIGN IS BASED ON THE FOLLOWING:

1. LOADS : 200 psf SURCHARGE ADJACENT TO VAULT.
2. SOIL PROPERTIES = MOIST = 120 pcf WATER TABLE 2' BELOW SURFACE
SATURATED = 125 pcf BEARING CAP. = 1500 psf. MIN.
Ko = .80

REINFORCING STEEL SIZES

Table 6-2

SUMP PUMP CHECKLIST

<u>ITEM</u>	<u>PUMPS' DESCRIPTION</u>
1.	ELECTRICALLY DRIVEN.
2.	DUPLEX SYSTEM WITH ALTERNATOR.
3.	DEDICATED ELECTRICAL SERVICE.
4.	SUBMERGED OPERATION IN 200°F WATER.
5.	ENTIRE PUMPING SYSTEM CAPABLE OF 200,000 CYCLES OF OPERATION IN 200°F, 100% RELATIVE HUMIDITY ENVIR.
6.	PERMANANTLY LUBRICATED BEARINGS.
7.	BRONZE IMPELLER.
8.	MONEL SHAFT.
9.	CAPABLE OF PASSING 3/8 INCH SPHERES.
10.	SCREENED INLET.
11.	BRONZE HOUSING.

Table 6-3

QUIZ

AN INTRODUCTION TO AIR CONDITIONING SYSTEMS

1. For the following conditions: $U = 0.05 \text{ BTU}/(\text{Hr Ft}^2 \text{ F}^0)$, $A = 500 \text{ Ft}^2$, $T_i = 68 \text{ F}^0$, $T_o = 30 \text{ F}^0$, the heating load for the inside of a building due to transmission thru a wall of the given size and thermodynamic characteristics is _____ BTU/Hr.

- a. 650
- b. 750
- c. 850
- d. 950

2. 50 CFM of 40 F^0 outside air is introduced into a room by infiltration and ventilation. The indoor design temperature for the room is $T_i = 68 \text{ F}^0$. The heating load imposed on the room by this infiltration and ventilation is about _____ BTU/Hr.

- a. 1540
- b. 1740
- c. 1940
- d. 2140

3. 500 CFM is exhausted from a room to the outside. The amount of outdoor air that should be introduced into the room to compensate for this exhaust air is about _____ CFM.

- a. 460
- b. 560
- c. 660
- d. 760

4. A building is heated intermittently (i.e. heated during the day, but not at night) using a steam boiler. The boiler capacity should be oversized by about _____ percent to allow for "pickup" in the morning after being turned off on cold nights.

- a. 5
- b. 7
- c. 10
- d. 15

5. For the following conditions: $U = 0.15 \text{ BTU}/(\text{Hr Ft}^2 \text{ F}^0)$, $A = 5000 \text{ Ft}^2$, $T_i = 78 \text{ F}^0$, $T_o = 90 \text{ F}^0$, the cooling load for the inside of a building due to transmission thru a roof of the given size and thermodynamic characteristics is _____ BTU/Hr.

- a. 8000
- b. 9000
- c. 10000
- d. 11000

6. A typical ventilation (i.e. introduction of outside air into the space) rate for offices is _____ CFM/person.

- a. 5
- b. 10
- c. 15
- d. 20

7. The sensible heat load imposed on a gymnasium cooling system is about _____ Btu/Hr-person.

- a. 635
- b. 735
- c. 835
- d. 935

8. A 1000 watt electric appliance in an air conditioned space has an equipment use factor of 50%. The sensible cooling load this appliance will impose on the air conditioning system is about _____ Btu/Hr.

- a. 1400
- b. 1500
- c. 1600
- d. 1700

9. A well designed and constructed air distribution duct system should not leak more than about _____ percent supply air.

- a. 0
- b. 3
- c. 5
- d. 10

10. Use of unitary air conditioning systems should be limited to loads less than about _____ tons.

- a. 50
- b. 100
- c. 150
- d. 200

11. A constant-volume, multi-zone cooling system should be used to provide individual temperature control to not more than _____ zones from a central air handler.

- a. 3
- b. 5
- c. 7
- d. 10

12. A variable air volume (VAV) system may be a good choice for a building with more than _____ zones and load variation to permit reduction of fan capacity for significant periods of the day.

- a. 5
- b. 10
- c. 15
- d. 20

13. Use _____ air distribution ducts wherever possible.

- a. rectangular
- b. round
- c. square
- d. linear

14. A rule-of-thumb for the sizing of air conditioning cooling systems for administrative office buildings is _____ SF/ton.

- a. 450 to 600
- b. 600 to 750
- c. 750 to 900
- d. 900 to 1000

15. A rule-of-thumb for sizing a steam heating system is about _____ pound(s) of steam per 1000 Btu/Hr of heating load.

- a. 0.5
- b. 1
- c. 1.5
- d. 2

16. High temperature hot water systems distribute heating water at temperatures above:

- a. 150 deg F
- b. 212 deg F
- c. 250 deg F
- d. 300 deg F

17. Condensate return systems are a feature of:

- a. high temperature hot water systems
- b. low temperature hot water systems
- c. steam systems
- d. chilled water systems

18. For high temperature water and steam/condensate systems the least expensive distribution system is usually a/an:

- a. above ground heat distribution systems
- b. heat distribution system in concrete trenches
- c. pre-engineered underground heat distribution system
- d. prefabricated underground heating/cooling distribution system

19. For low temperature and chilled water systems the least expensive distribution system is usually a/an:

- a. above ground heat distribution systems
- b. heat distribution system in concrete trenches
- c. pre-engineered underground heat distribution system
- d. prefabricated underground heating/cooling distribution system

20. The principal drawings that must be prepared in laying out a heating/cooling distribution system are:

- a. cathodic protection
- b. slope and detail
- c. contour curves
- d. plan and profile

21. Layout plans should include:

- a. stationing numbering
- b. all utilities within 25 feet of the system
- c. both a and b
- d. neither a nor b

22. The purpose of isolation flanges separating existing cathodically protected external piping from new cathodically protected piping in a new manhole is to:

- a. prevent leakage
- b. facilitate construction
- c. reduce hydraulic transients
- d. prevent the new cathodic protection system from contact the existing one

23. The use of concrete manhole covers is:

- a. encouraged
- b. discouraged
- c. optional
- d. required

24. Gravity drainage of a valve manhole is usually:

- a. least expensive
- b. most expensive
- c. least effective
- d. most effective

25. Chilled water systems with PVC carrier piping should never be installed in the same manhole with steam piping because of the risk to the PVC of:

- a. fire damage
- b. impact damage
- c. melting damage
- d. leakage